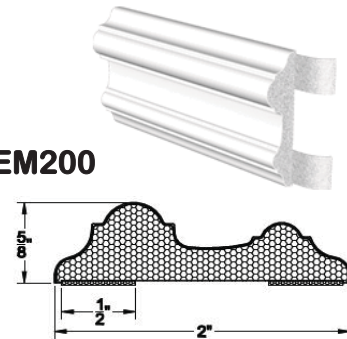


Executive Panel Mouldings

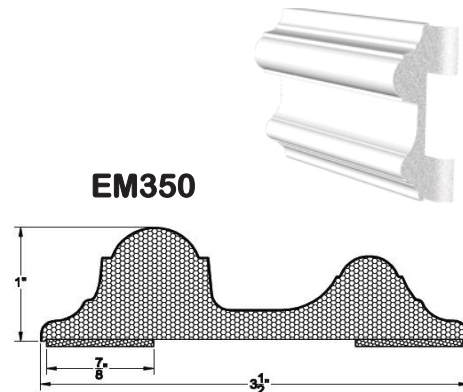
Visually appealing Decorative Mouldings provide a cost effective architectural look for entry door systems.



EM200



EM350



Features:

- ▶ Manufactured from maintenance free cellular PVC.
- ▶ UV resistant, does not yellow.
- ▶ Weather resistant in all climates (cold, heat and humidity).
- ▶ Can easily be painted to match any painted doors.
- ▶ Easy to assemble, can be cut to create mouldings of any shape and size.
- ▶ Acrylic based double sided adhesive strip pre-applied for permanent installation.

Part #	Size	Pcs/box
EM350	3.5" x 1" x 144"	12
EM200	2" x 5/8" x 144"	24