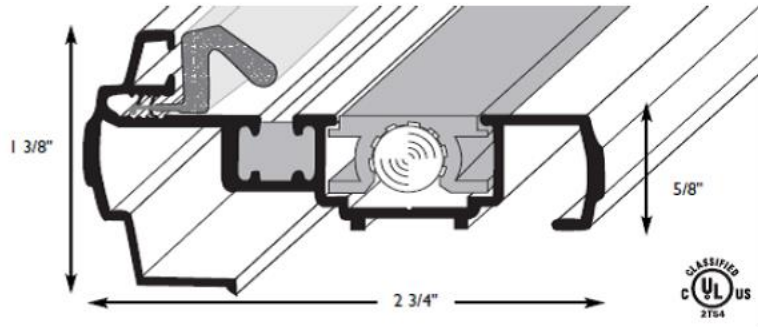




**Aribell**  
The Leader in Door & Window Components

## Aluminum Astragals - Painted Finish



- **Thermally broken** all aluminum structural body.
- Four way adjustable strike plates for ease of installation.
- Encapsulates inactive door for maximum strength and covers unsightly gaps.
- Available in White and Bronze.
- Superior Boot Sealing system designed for increased contact with threshold cap.
- Complete with weather strip, corner seals and flush bolts.

Part #	Height	Finish/Handing	Pcs/Box	
AST-ALUM-WH79-R	79"	White Aluminum/ RH	8	
AST-ALUM-WH79-L	79"	White Aluminum/ LH	8	
AST-ALUM-WH80-O/S	80"	White Aluminum Non Hande	8	(outswing)
AST-ALUM-WH83-R*	83"	White Aluminum/ RH	8	
AST-ALUM-WH83-L*	83"	White Aluminum/ LH	8	
AST-ALUM-WH95-R	95"	White Aluminum/ RH	8	
AST-ALUM-WH95-L	95"	White Aluminum/ LH	8	
AST-ALUM-WH96-O/S	96"	White Aluminum/Non Hande	8	(outswing)
AST-ALUM-BR79-R*	79"	Bronze Aluminum/ RH	8	
AST-ALUM-BR79-L*	79"	Bronze Aluminum/ LH	8	
AST-ALUM-BR83-R*	83"	Bronze Aluminum/ RH	8	
AST-ALUM-BR83-L*	83"	Bronze Aluminum/ LH	8	
AST-ALUM-BR95-R*	95"	Bronze Aluminum/ RH	8	
AST-ALUM-BR95-L*	95"	Bronze Aluminum/ LH	8	

\* Item available by special order. Please contact Aribell for lead times.