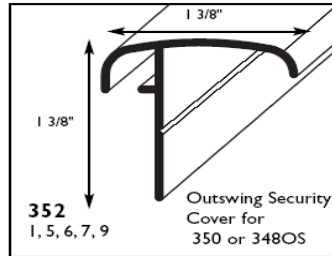
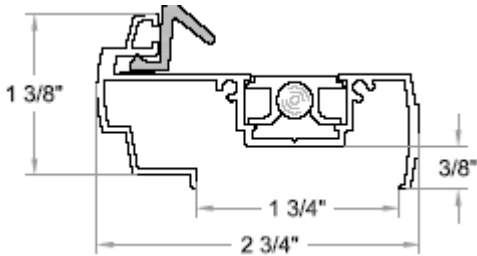


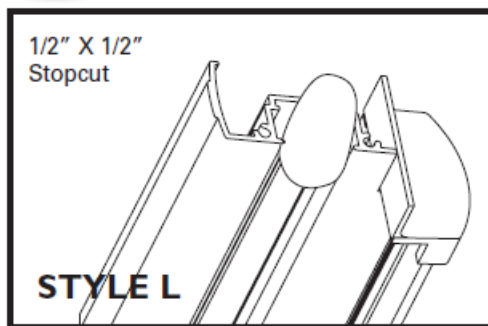


## # 353 ( 350/352Q) OUTSWING ASTRAGAL INSTALLATION INSTRUCTIONS



NOTE: DO NOT REMOVE SLIDE BOLT UNITS FROM ASTRAGAL

- 1) Length of astragal and door must be the same. Astragal may be trimmed with a metal cutting saw.
- 2) Clear the doorstop and Bumper threshold weatherstrip by notching outer face (Wider part of astragal) at the top and bottom of the astragal. (**Usually 1/2" x 1/2"**). After notching for stop at top of astragal insert Trim Clip and press in place.



**ASTRAGAL 1/2" STOPCUT AT TOP OF HANDED ASTRAGALS**



- 3) Fasten astragal to the inactive door using **#8 x 1-1/4" flat head screw**. Holes are predrilled 2" from each end. Do not over tighten.....
- 4) Drill holes (**5/16" x 1-1/4" deep**) in the frame head and the sill or threshold. Use partially extended bolt to mark location of holes. Close door, slide both bolts into the extended position (bolts extend 1" into drilled holes).
- 5) Use the white plastic trigger to extend the flush bolts at the top and bottom.
- 6) Position the **strike plate** with respect to the strike latch. Place **spacers** into track at strike plate location; rotate spacer's 1/4 turn into position. Set strike plate onto spacers

- and drill through the holes into the stile of the door. Secure with **# 8 x 1-1/4 flat head screws**. Repeat for dead bolt using dead bolt trim plate.
- 7) Install **black vinyl cover strips** in the open areas between the strike plate and the black plastic tab at the ends of the bolt units. The cover strip may be cut with shears and pressed into place.
- 8) Position **security shield** on active door and mark location of latch on shield. Saw down to field break on either side of latch position and remove cut section by bending back and forth. Secure **to door with screw nails**.

### CONTENTS:

ASTRAGAL BODY with LOCK BOLTS and SEALS & Security cover 352Q  
2-#8 x 1-1/4" flat head black self drilling screws  
2- #8 x 1 pan head black self-drilling screws  
STRIKE PLATE and SPACERS (2)  
2-# 8 x 1-1/4" flat head black self drilling screws  
DEAD BOLT STRIKE PLATE with SPACERS (2)  
2- # 8 x 1-1/4" flat head black self drilling screws  
BLACK VINYL COVER STRIP  
SECURITY SHIELD  
12-Screw nails  
1- Trim Clip & 2 locking devises

---