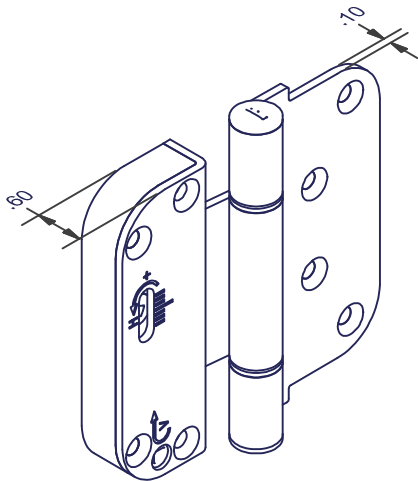
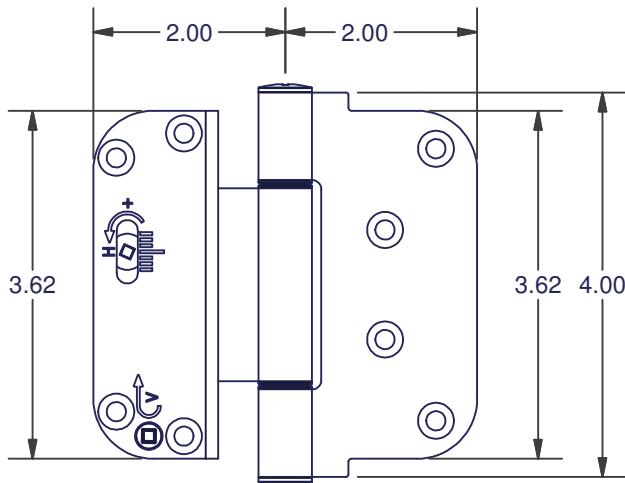
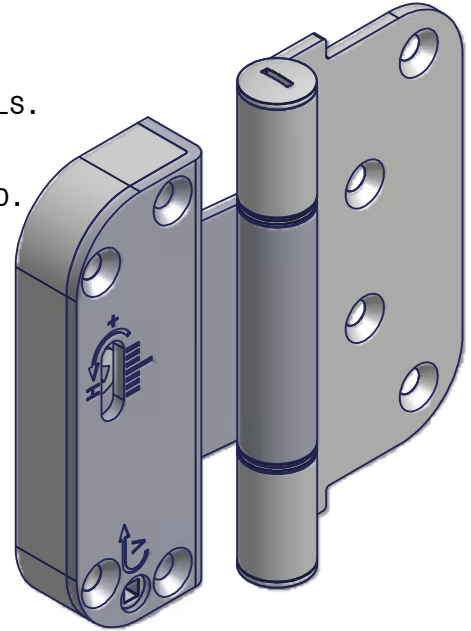


HINGES

FEATURES AND BENEFITS

- NON-HANDED DESIGN REDUCES INVENTORY.
- BOTH VERTICALLY AND HORIZONTALLY ADJUSTABLE.
HORIZONTAL ADJUSTMENT $\pm .156"$.
VERTICAL ADJUSTMENT $\pm .200"$.
- VERTICAL ADJUSTMENT IN EACH HINGE ALLOWS FOR HEAVIER PANELS.
- ADJUSTS WITH STANDARD #2 SQUARE DRIVE.
SQUARE DRIVE PREVENTS STRIPPING OVER PHILLIPS OR SLOTTED.
- SECURE OUT-SWING NON-REMOVABLE PIN HINGES AVAILABLE.
- FITS COMMON FABRICATION WITHIN THE INDUSTRY.

HG200
AJUSTABLE HINGE
BOX QTY: 30



PIN	ITEM #	FINISH	SUBSTRATE
REMOVEABLE	HG200-S-01	WET WHITE	STEEL
	HG200-S-02	BLACK	STEEL
	HG200-S-06	VISION TAN	STEEL
	HG200-S-19	SHIELD WHITE	STEEL
	HG200-S-24	CRAFTSMAN BRONZE	STEEL
	HG200-S-74	DARK ORB	STEEL
	HG200-S-93	BRASS PVD	STEEL
	HG200-S-95	SATIN NICKEL PVD	STEEL
	HG200-B-90	SATIN NICKEL PVD	BRASS
	HG200-B-91	SOLID BRASS PVD	BRASS
NON-REMOVEABLE	HG200-S-NRP-01	WET WHITE	STEEL
	HG200-S-NRP-02	BLACK	STEEL
	HG200-S-NRP-06	VISION TAN	STEEL
	HG200-S-NRP-19	SHIELD WHITE	STEEL
	HG200-S-NRP-24	CRAFTSMAN BRONZE	STEEL
	HG200-S-NRP-74	DARK ORB	STEEL
	HG200-S-NRP-93	BRASS PVD	STEEL
	HG200-S-NRP-95	SATIN NICKEL PVD	STEEL
	HG200-B-NRP-90	SATIN NICKEL PVD	BRASS
	HG200-B-NRP-91	SOLID BRASS PVD	BRASS

DIMENSIONS ARE FOR REFERENCE ONLY AND ARE IN INCHES UNLESS OTHERWISE NOTED.
CONTACT OUR ENGINEERING DEPARTMENT WITH SPECIFIC APPLICATION QUESTIONS OR REQUIREMENTS.
NOT ALL COMBINATIONS LISTED ARE CURRENTLY STOCKED, EXTRA LEAD TIME MAY BE REQUIRED.