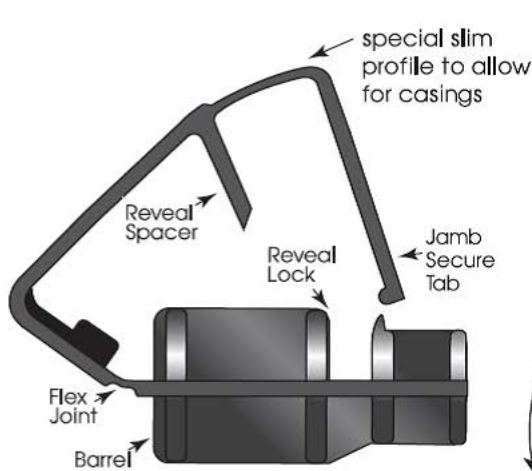
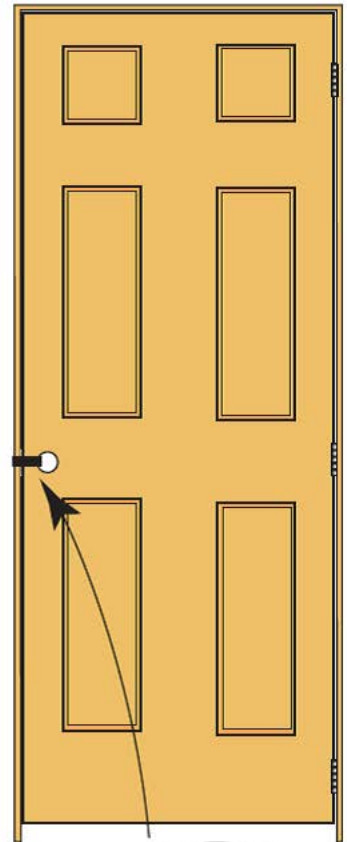
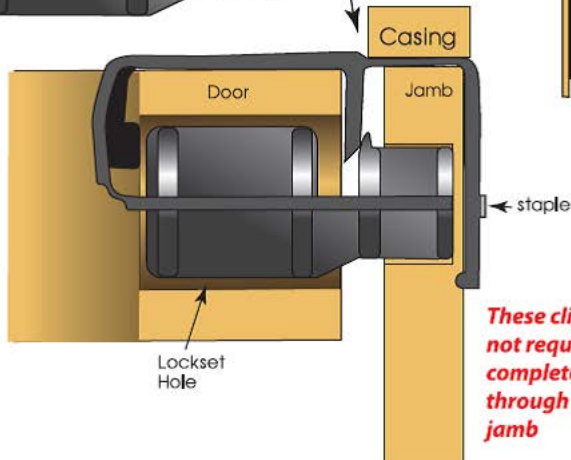


ABTR-CL4 2 3/8" SPLIT JAMB CLOSURE CLIP

This one-piece Closure Clip is primarily for 2 3/8" backset split jamb doors and features a special slim profile above the jamb to allow for casing. This part can be easily removed at the job site by simply cutting along the casing and removing the staple.



ABTR-CL4 2 3/8" Backset SPLIT JAMB



These clips do not require a complete bore through the jamb

ABTR-CL4 500 / Box