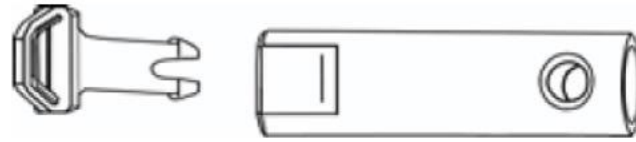




Sidelite Plug



Part #: ABTR-SLDP-075
(packaged 600 pcs/box)

Features:

- ▶ Easy solution to keep doors with sidelite securely closed and aligned during transport and handling.
- ▶ No special tools required/easy installation and removal.
- ▶ Performs as a temporary latchbolt on door units during construction to keep door closed without the use of wedges or other devices.

Installation instructions:

1. Insert sidelite plug into door through the 1" edge bore so its flush with the edge of the door stile. **SEE FIGURE 1.**
2. Close door into mullion. **SEE FIGURE 3.**
3. Slide sidelite plug into strike prep. The key slot on plug must be visible. **SEE FIGURE 3.**
4. Insert lock key into key slot. **SEE FIGURE 4.**

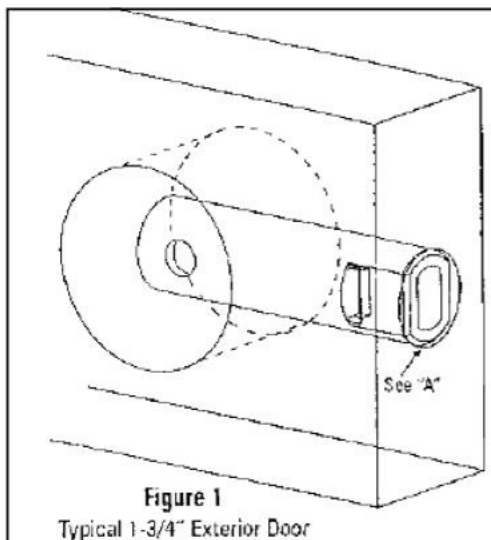


Figure 1
Typical 1-3/4" Exterior Door

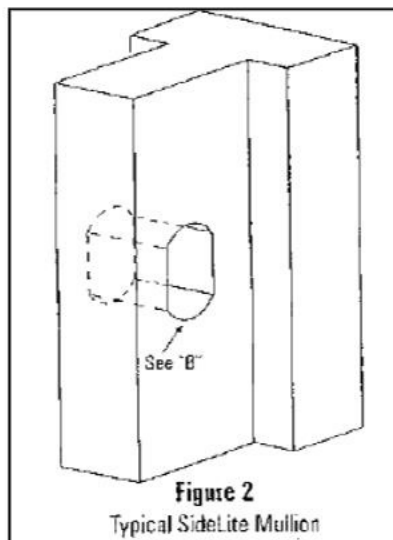


Figure 2
Typical Sidelite Mullion

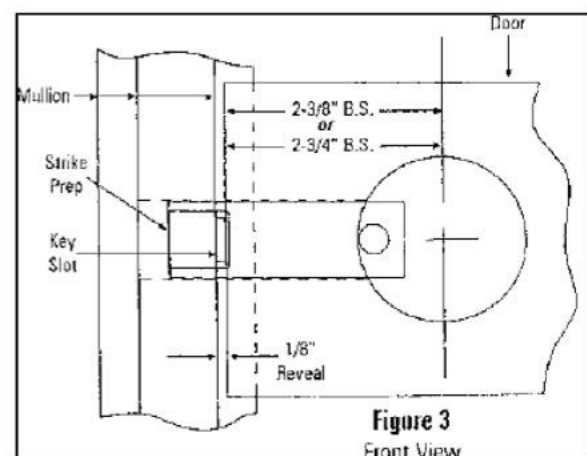


Figure 3
Front View

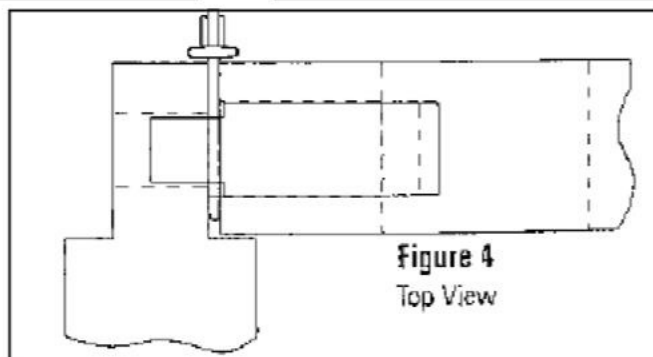


Figure 4
Top View



Figure 5
Lock-Key