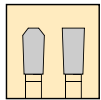
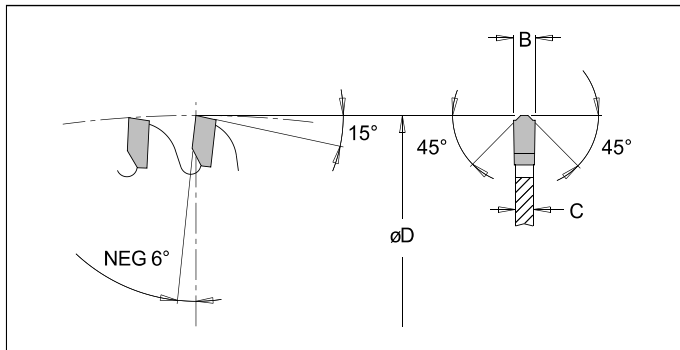


**Aribell**  
The Leader in Door & Window Components

# Carbide Tipped Saw Blade for Non Ferrous Material

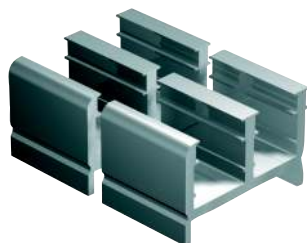
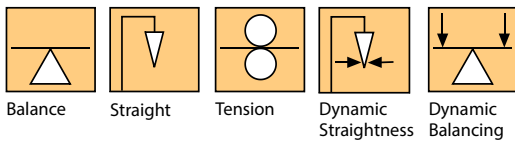
For cutting aluminum sheets, tubing extrusions and other non ferrous metals such as copper, brass, lead and magnesium. For smooth cutting, use lots of lubricant and a clamping device.

*The best blade in the industry!*



Part no.	Dia.	Teeth	Kerf	Bore
<b>AB-12-96 N/F</b>	12"	96	.126" (3.2mm)	1"
<b>AB-10-100 N/F</b>	10"	100	.126" (3.2mm)	5/8"

## Manufacturing Technology:



**Aluminum**

