

# CONTENTS

## Section A

### **SASH LOCKS**

*SASH LOCKS WITHOUT ALIGNMENT NIBS, WITH STRAIGHT NIBS, WITH NESTING NIBS, WITH 3 DEGREE NIBS*

---

## Section B

### **KEEPERS**

*SURFACE-MOUNTED AND FACE-MOUNTED KEEPERS*

---

## Section C

### **BALANCE SHOES**

*5/8 BALANCE SHOES, LOCKING AND TAKE OUT BALANCE SHOES, 3/8 BALANCE SHOES*

---

## Section D

### **TILT LATCHES**

*SURFACE-MOUNTED AND INTEGRAL TILT LATCHES, TILT LOCK PIECE*

---

## Section E

### **NIGHT LOCKS AND WEEP HOLE COVERS**

*REGULAR AND PREMIUM NIGHT LOCKS, WEEP HOLE COVERS OF DIFFERENT SIZES*

---

## Section F

### **SCREEN PARTS AND SASH LIFT END CAPS**

*SCREEN POINTERS, SCREEN PULLS, SCREEN CORNERS, SASH LIFT END CAPS*

---

## Section G

### **PIVOT BARS AND PIVOT SASH ASSEMBLIES**

*ALUMINUM SASH ANGLES, SASH PIVOT ASSEMBLIES, LOCKING PIVOT ASSEMBLIES, ZINC DIE-CASTING PIVOT BARS*

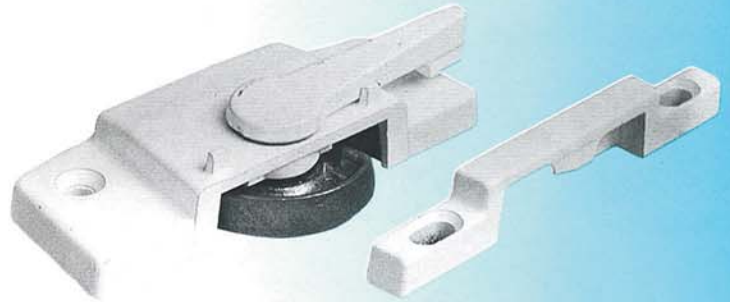
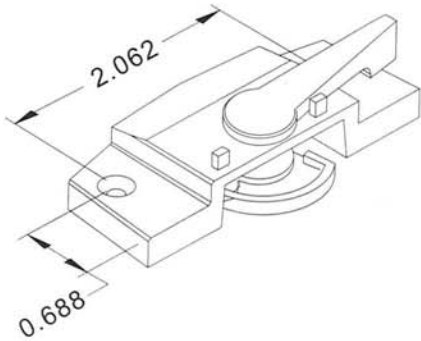
---

## Section H

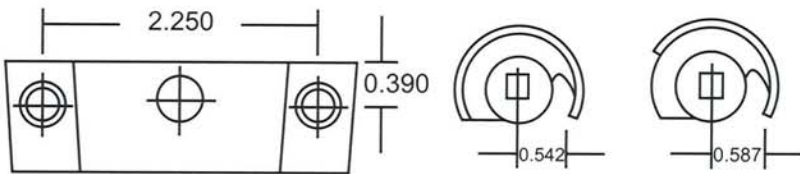
### **MISCELLANEOUS PARTS**

*ROLLERS, ZINC DIE-CASTING MEETING RAIL ANCHORS, HOPPER BLOCKS, CASEMENT RAMPS*

**#3226/8226** 2.062" C/L X 0.688" Set Back Lock and Keeper with Elongated Screw Holes.



**#3280/3288** 2.250" C/L x 0.390" Set Back

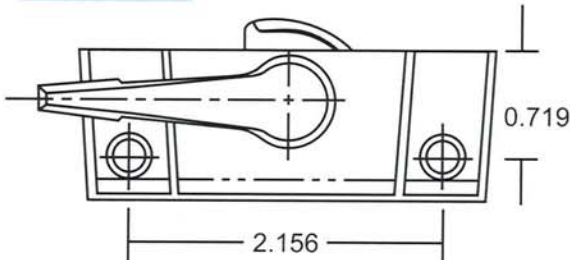


NO NIBS

**3280 Regular Reach Cam**    **3288 Extended Reach Cam**

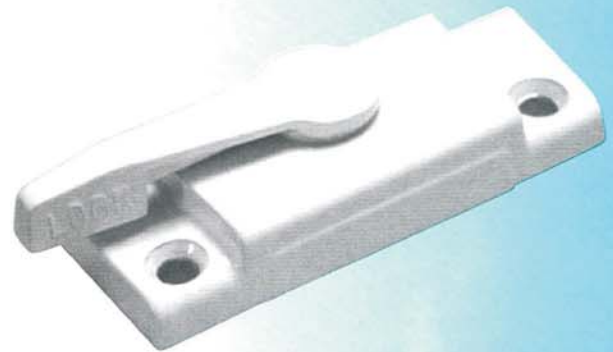


**#3290** 2.156" C/L x 0.719" Set Back



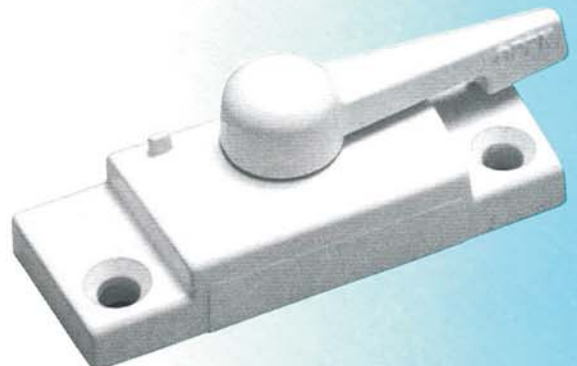
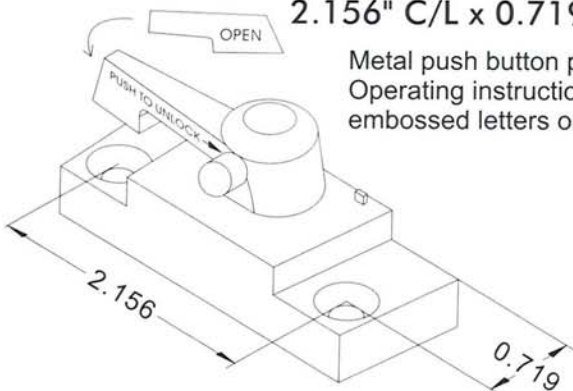
Easy to read engraved "OPEN" and "LOCK" on the thumb-grip area

NO NIBS

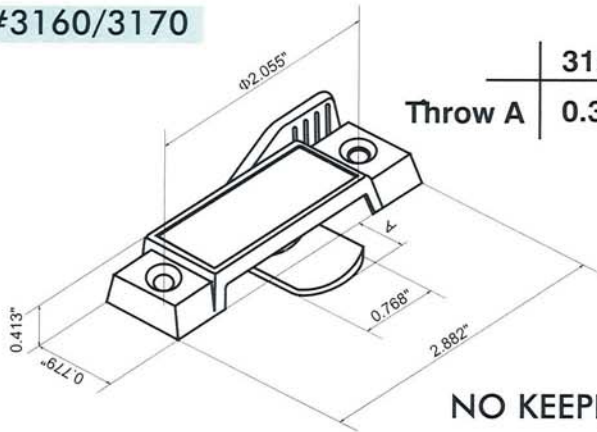


**#3299** ( Previously 3300 )  
2.156" C/L x 0.719" SET BACK

Metal push button pin to release handle  
Operating instructions casted in embossed letters on handle



#3160/3170



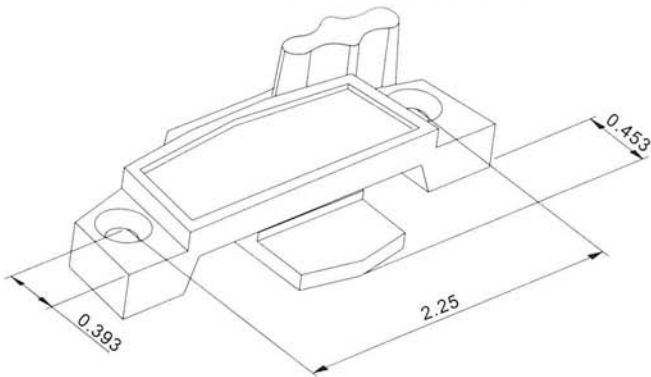
	3160	3170
Throw A	0.360"	0.500"

NO KEEPERS



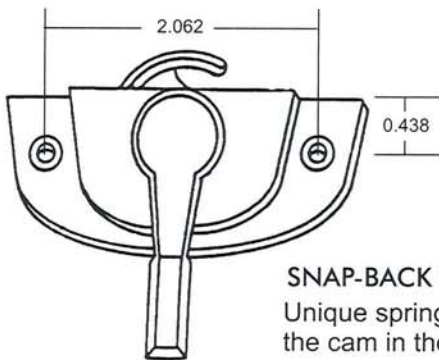
#3199

( Previously 3200 )  
2.25" C/L SWEEP LOCKS



#3211

2.062" C/L x 0.438" SET BACK

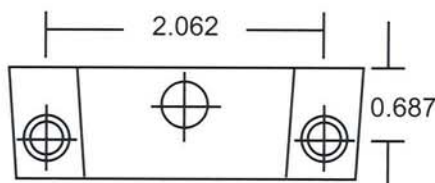


SNAP-BACK LOCKS NO NIBS  
Unique spring design eliminates exposing the cam in the partially open position



#3220

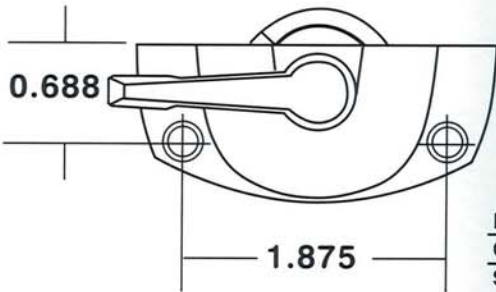
2.062" C/L x 0.687" Set Back



NO NIBS



#3205



ITEM NO.	3205
C/L.	1.875"
SETBACK	0.688"

#7 Screw without Nibs  
Marked with "Locked" indicators

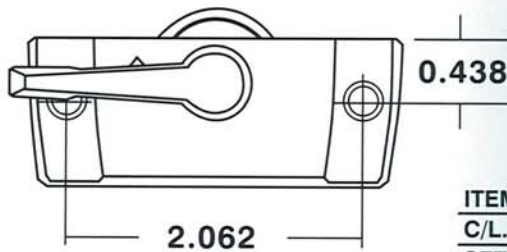
#3212



ITEM NO.	3212
C/L.	2.062"
SETBACK	0.438"

#7 Screw without Nibs  
Marked with "Locked" indicators

#3213



ITEM NO.	3213
C/L.	2.062"
SETBACK	0.438"

#6 Screw without Nibs  
Marked with "Locked" indicators

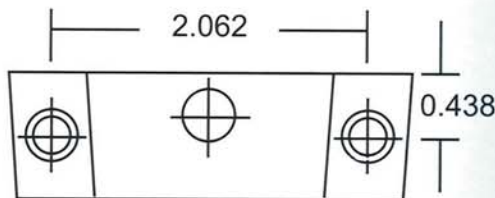
#3222



ITEM NO.	3222
C/L.	2.062"
SETBACK	0.688"

#6 Screw without Nibs  
Marked with "Locked" indicators

#3210/3218



ITEM NO.	3210	3218
C/L.	2.062"	2.062"
SETBACK	0.438"	0.438"

#6 Screw without Nibs  
Flat handle designs  
#3218 with extended reach cams

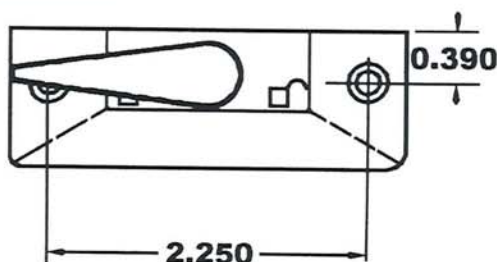
#3221/3228



ITEM NO.	3221	3228
C/L.	2.062"	2.062"
SETBACK	0.688"	0.688"

#6 Screw without Nibs  
Flat handle designs  
#3228 with extended reach cams

#9280

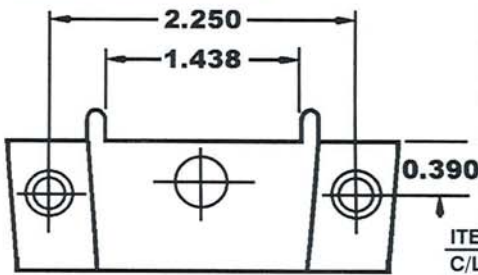


ITEM NO.	9280
C/L.	2.250"
SETBACK	0.390"

#8 Screw without Nibs  
Marked with "Locked" and "unlocked" signs



#3380/3388



ITEM NO.	3380	3388
C/L.	2.250"	2.250"
SETBACK	0.390"	0.390"

#8 Screw with Straight Nibs  
Flat handle designs  
#3388 with extended reach cams

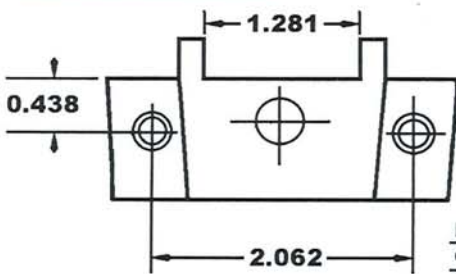
# 3390/3398



ITEM NO.	3390	3398
C/L.	2.156"	2.156"
SETBACK	0.719"	0.719"

#8 Screw with Straight Nibs  
Flat handle designs  
#3398 with extended reach cams

#3410/3418



ITEM NO.	3410	3418
C/L.	2.062"	2.062"
SETBACK	0.438"	0.438"

#6 Screw with Nesting Nibs  
Flat handle designs  
#3418 with extended reach cams

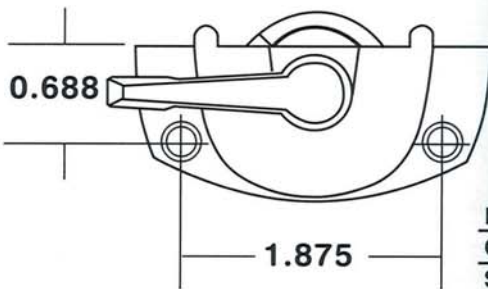
#3420/3428



ITEM NO.	3420	3428
C/L.	2.062"	2.062"
SETBACK	0.688"	0.688"

#6 Screw with Nesting Nibs  
Flat handle designs  
#3428 with extended reach cams

#3505



ITEM NO.	3505
C/L.	1.875"
SETBACK	0.688"

#7 Screw with 3 degree Nibs  
Mark with "Locked" indicators

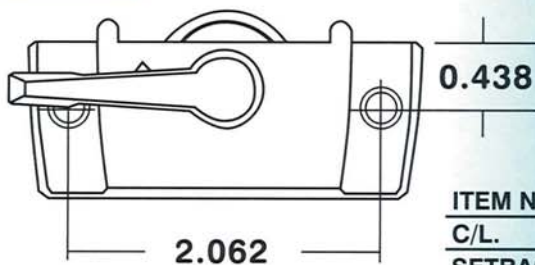
#3512



ITEM NO.	3512
C/L.	2.062"
SETBACK	0.438"

#7 Screw with 3 degree Nibs  
Mark with "Locked" indicators

#3513



ITEM NO.	3513
C/L.	2.062"
SETBACK	0.438"

#6 Screw with 3 degree Nibs  
Mark with "Locked" indicators

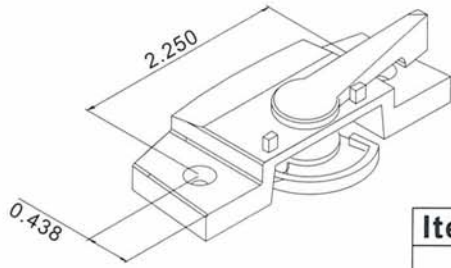
#3522



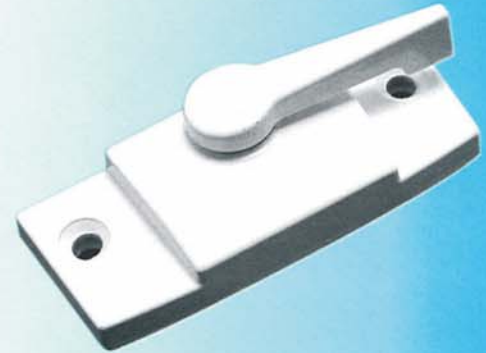
ITEM NO.	3522
C/L.	2.062"
SETBACK	0.688"

#6 Screw with 3 degree Nibs  
Mark with "Locked" indicators

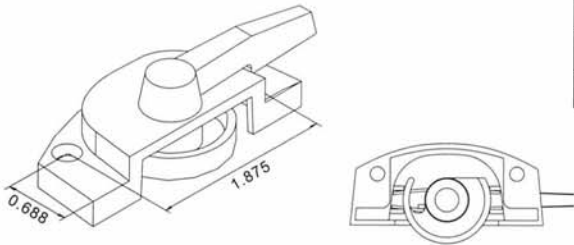
**#3286s/#3296s** #8 Screws, No Nibs, Small Cams



<b>Item No.</b>	#3286	#3296
<b>C/L</b>	2.250	2.156
<b>Setback</b>	0.390	0.719



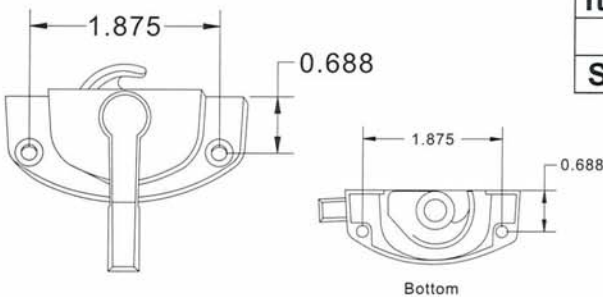
**#3225** #6 Screws, Snap-Back Locks without Nibs  
Unique Spring Design Eliminates  
Exposing the Cam in the Partially Open Position



<b>Item No.</b>	#3225
<b>C/L</b>	1.875
<b>Setback</b>	0.688



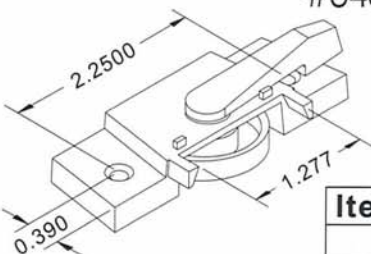
**#3206** #6 Screws, No Nibs  
Special Cam Design



<b>Item No.</b>	#3206
<b>C/L</b>	1.875
<b>Setback</b>	0.688



**#3480/#3488** #8 Screw with Nesting Nibs  
**#3490/#3498** Flat Handle Design  
#3488/#3498 with Extended Reach Cams



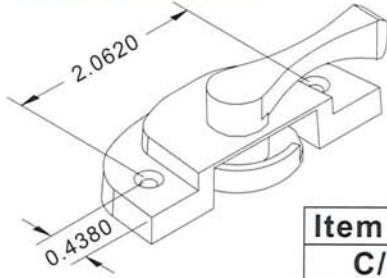
<b>Item No.</b>	#3480/#3488	#3490/#3498
<b>C/L</b>	2.250	2.156
<b>Setback</b>	0.390	0.719





**#9210/#9218**  
**#9220/#9228**

#6 Screws, No Nibs  
#9218/#9228 with Extended Reach Cams

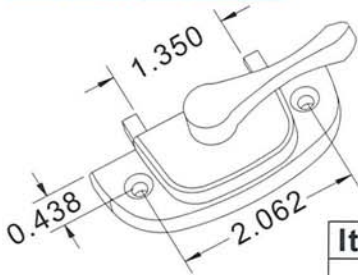


Item No.	#9210/#9218	#9220/#9228
<b>C/L</b>	2.062	2.062
<b>Setback</b>	0.438	0.688



**#9410/#9418**  
**#9420/#9428**

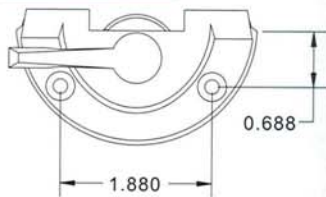
#6 Screws, Nesting Nibs  
#9418/#9428 with Extended Reach Cams



Item No.	#9410/#9418	#9420/#9428
<b>C/L</b>	2.062	2.062
<b>Setback</b>	0.438	0.688



**#9205R**

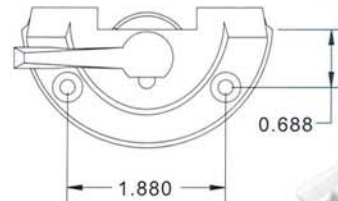


Item No.	#9205R
<b>C/L</b>	1.880
<b>Setback</b>	0.688

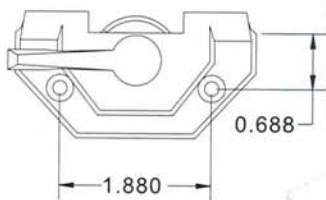


**#9205RB**

Metal push button pin to release handle



**#9205S**

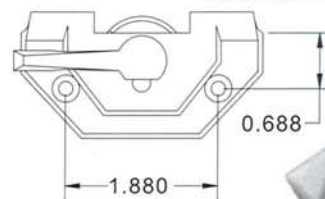


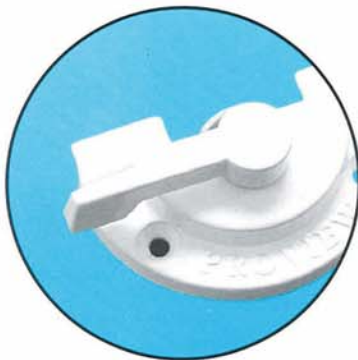
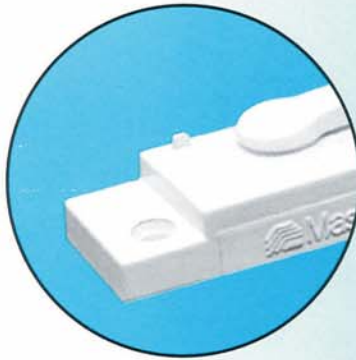
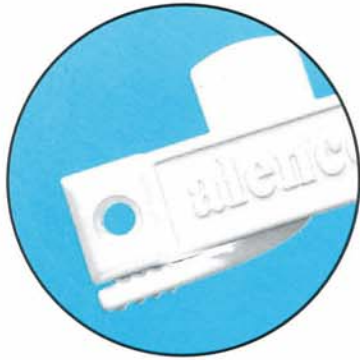
Item No.	#9205S
<b>C/L</b>	1.880
<b>Setback</b>	0.688



**#9205SB**

Metal push button pin to release handle

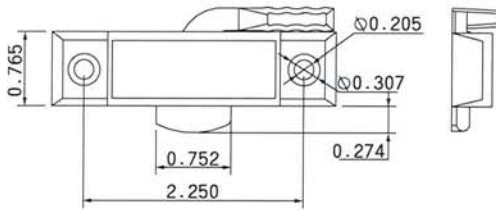




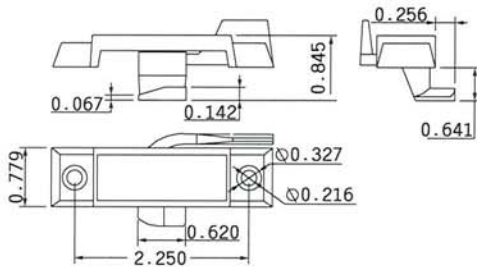




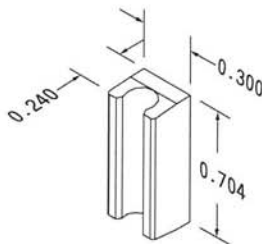
### 3150 2.25" C/L SWEEP LOCK



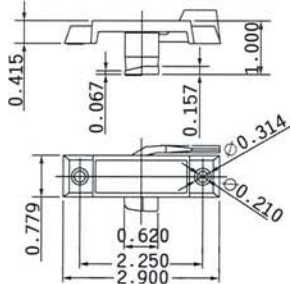
### 3151 2.25" C/L SWEEP LOCK



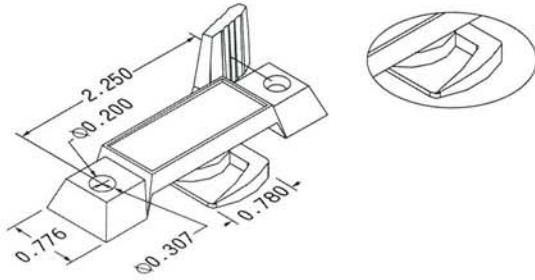
### 3152 SWEEP LOCK SPACER



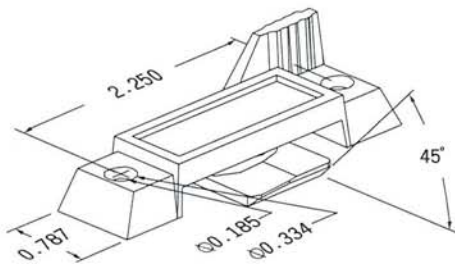
### 3159 2.25" C/L SWEEP LOCK



**3161 2.25" C/L SWEEP LOCK**



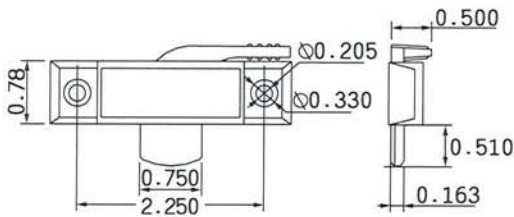
**3162 2.25" C/L SWEEP LOCK**



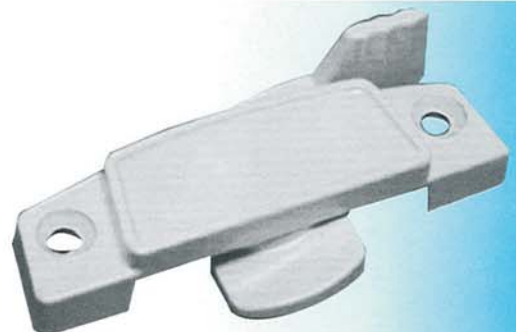
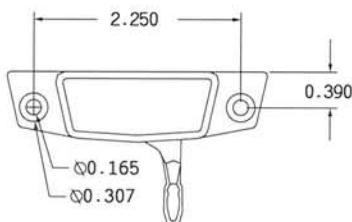
**3162 Beveled throw**



**3173 2.25" C/L SWEEP LOCK**

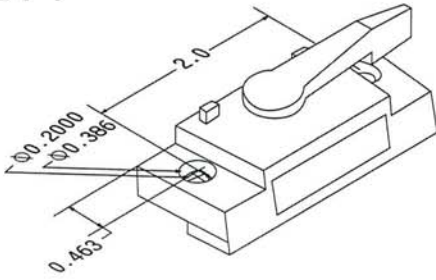


**3198 2.25" C/L SWEEP LOCK**





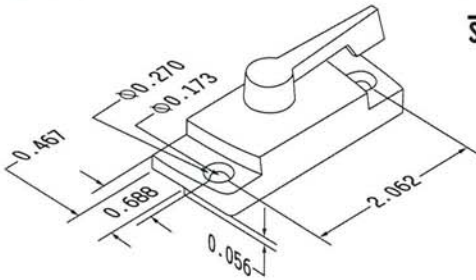
**3214**



ITEM NO.	#3214
C/L	2.0
SETBACK	0.465



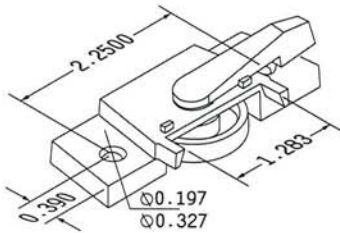
**3222sk**



ITEM NO.	#3222SK
C/L	2.062
SETBACK	0.688



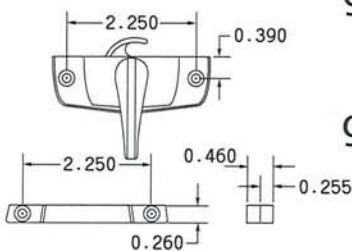
**3480**



ITEM NO.	#3480
C/L	2.250
SETBACK	0.390



**9287&9387**



**9287**

ITEM NO.	#9287
C/L.	2.250
SETBACK	0.390

**9387**

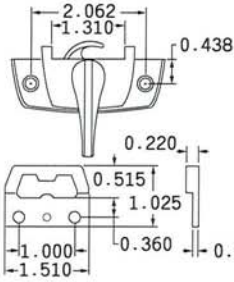
**9287**

**9387**





**9317&9417**



**9417**

**9317**

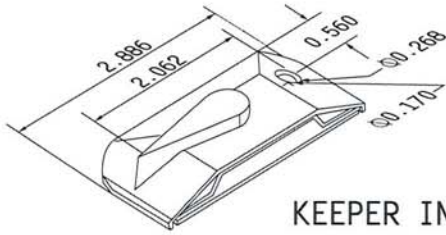
ITEM NO.	#9417
C/L.	2.062
SETBACK	0.438

**9417**

**9317**



**9710 LOW PROFILE LOCK W/HOOD**

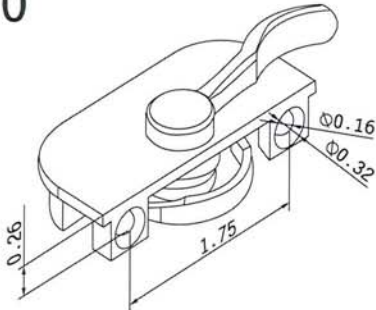


KEEPER INSIDE

ITEM NO.	#9710
C/L.	2.062
SETBACK	0.438



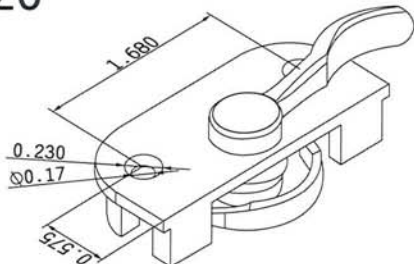
**9810**



ITEM NO.	#9810
C/L.	1.750



**9820**

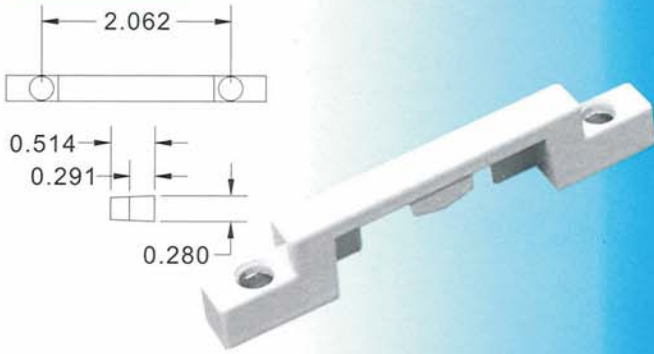


ITEM NO.	#9820
C/L.	1.680
SETBACK	0.575

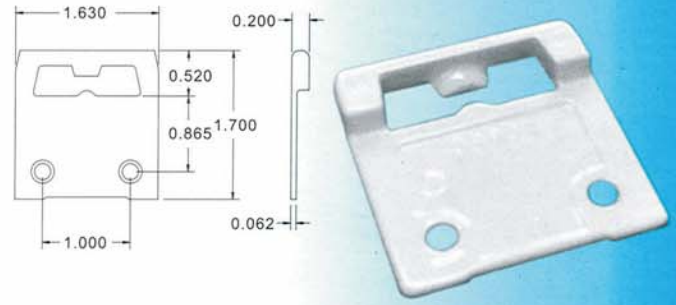




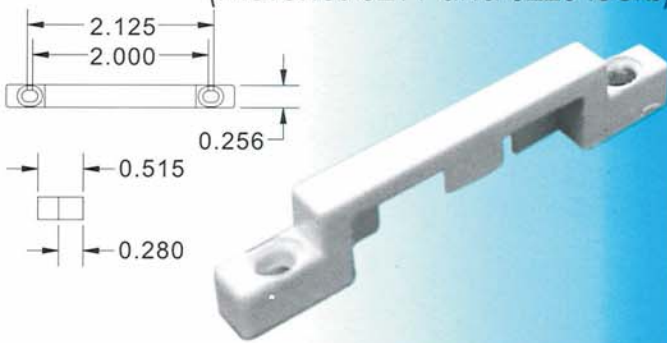
**#8205** #6 Screws, Open Back



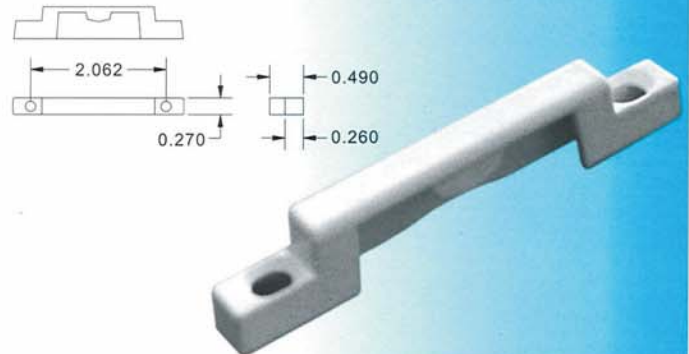
**#8214** Face Mounted



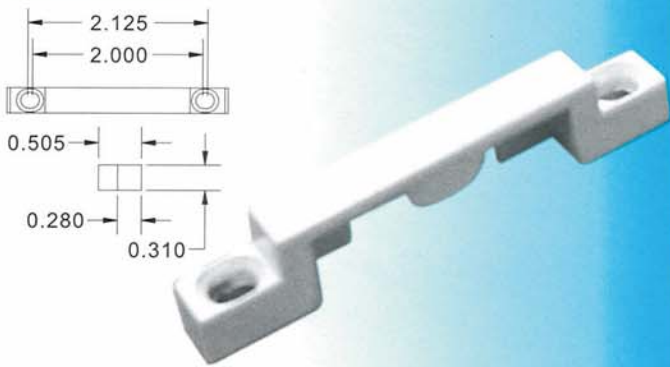
**#8211** #6 Screws, Open Back  
(Matches 3211 and 3225 locks)



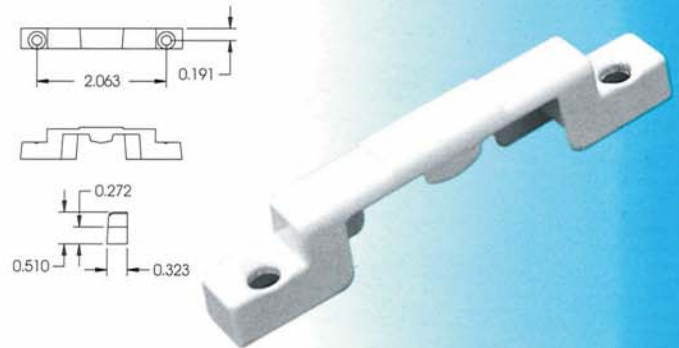
**#8216** #6 Screws, Closed Back



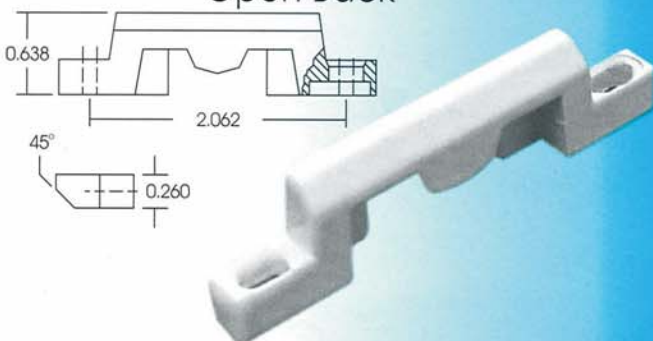
**#8212** #6 Screws, Open Back



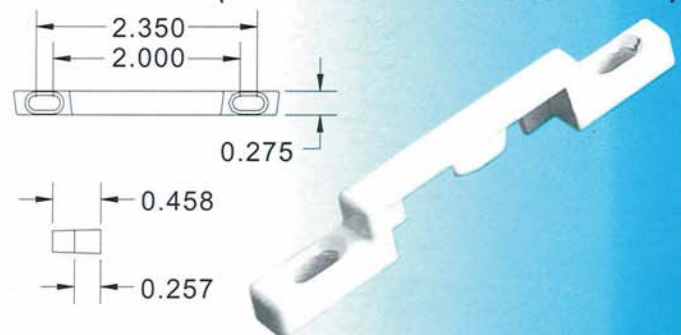
**#8217** #6 Screws, Open Back



**#8213** #6 Screws, Beveled Top,  
Open Back

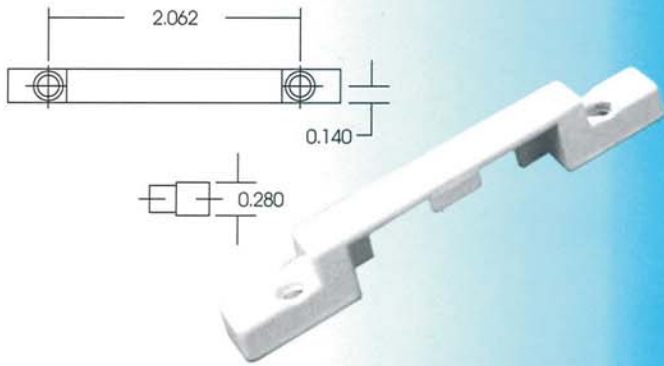


**#8226** #6 Screws, Open Back  
(Matches 3226/86/96 Locks)

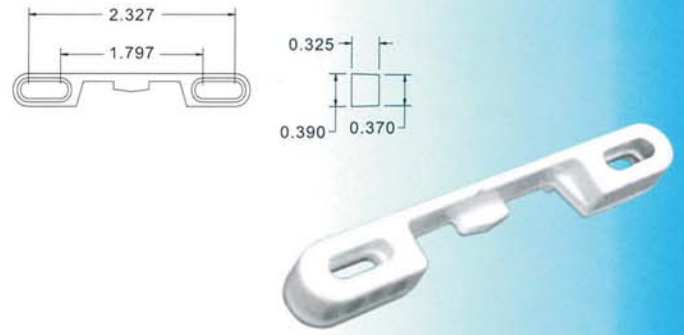




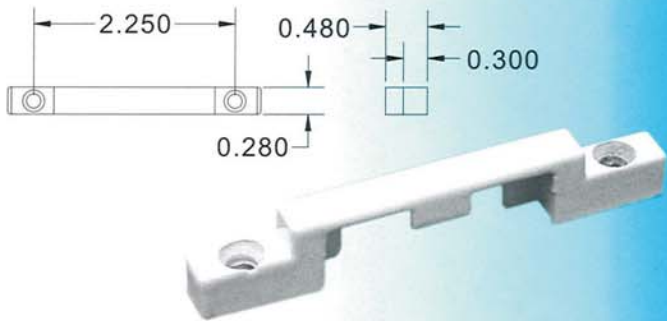
**#8227** #6 Screws, Open Back



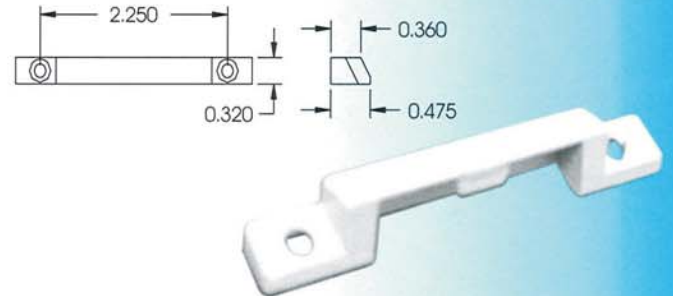
**#8283** #6 Screws, Face Mounted



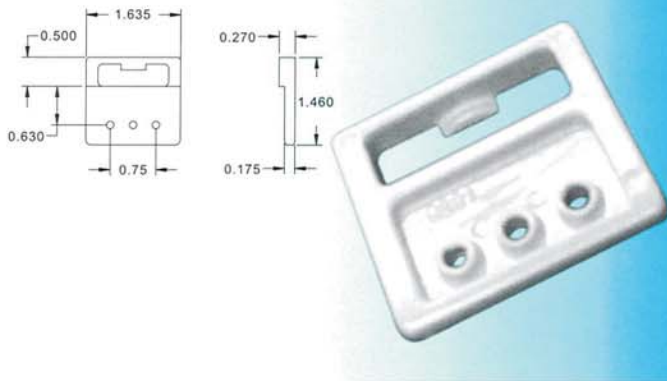
**#8280** #6 Screws, Open Back



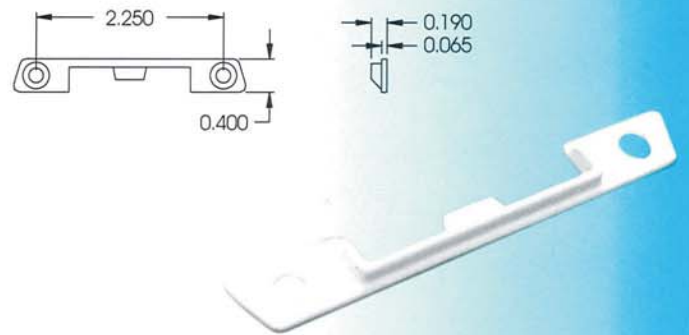
**#8284** #6 Screws, with Indentation



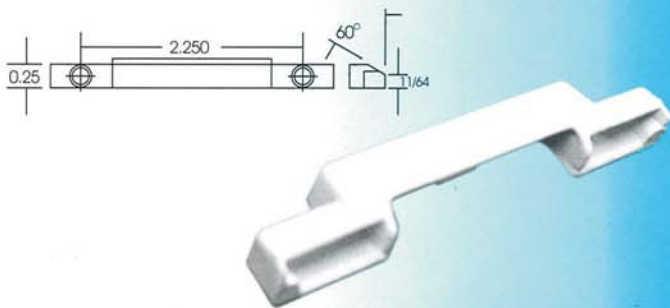
**#8281** Pop Rivets, Face Mounted



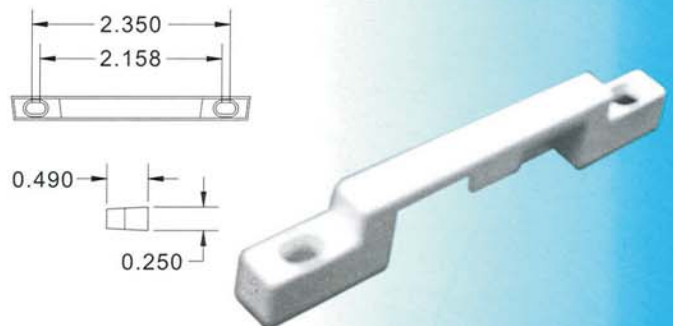
**#8286** #10 Screws, Face Mounted



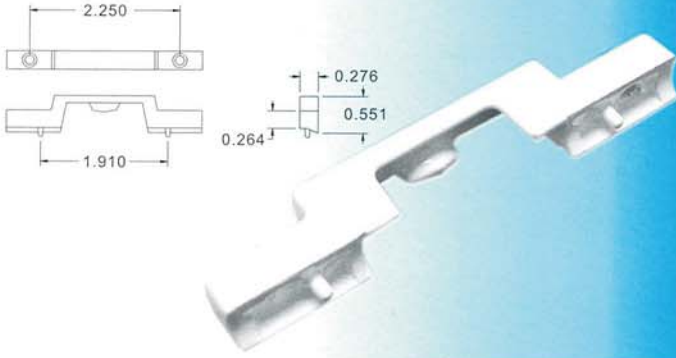
**#8282** #6 Screws, with Indentation



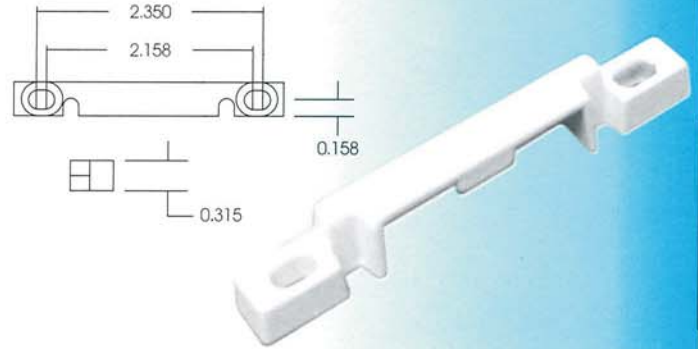
**#8287** #6 Screws, Open Back



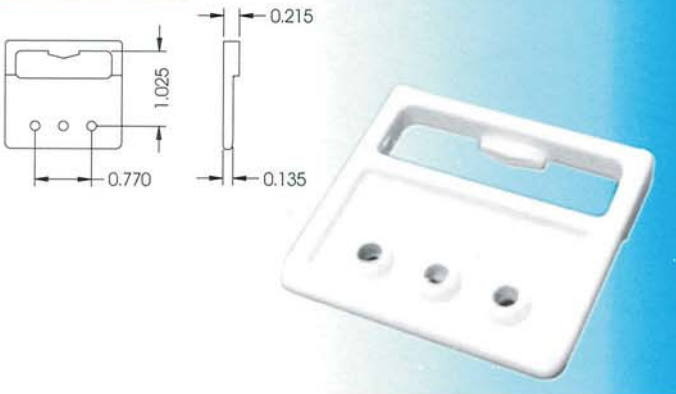
**#8288** #6 Screws, Open Back



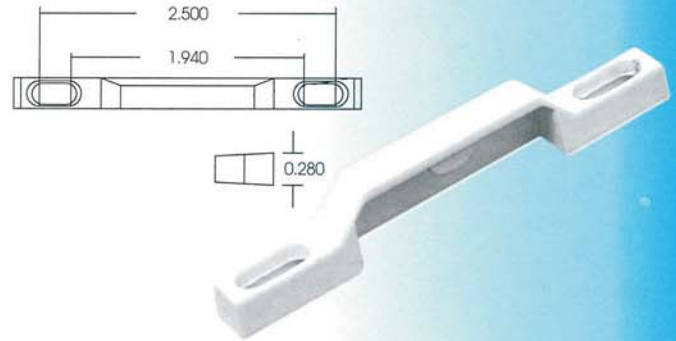
**#8381** #6 Screws, Closed Back



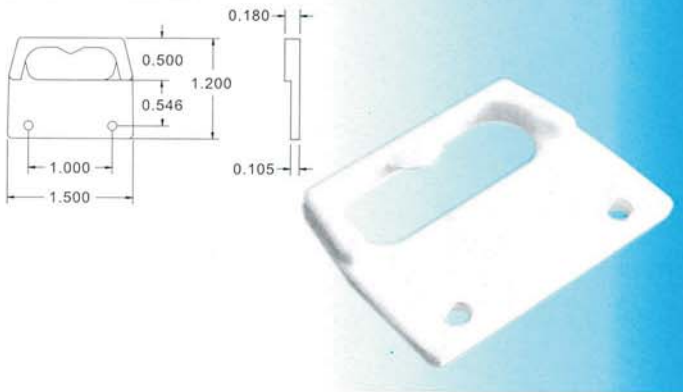
**#8289** Face Mounted



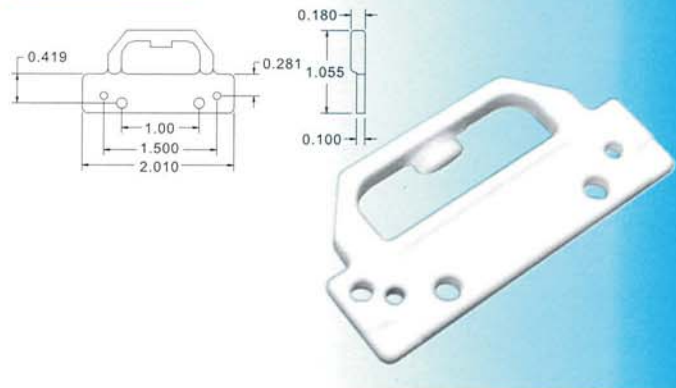
**#8420** #6 Screws, Closed Back



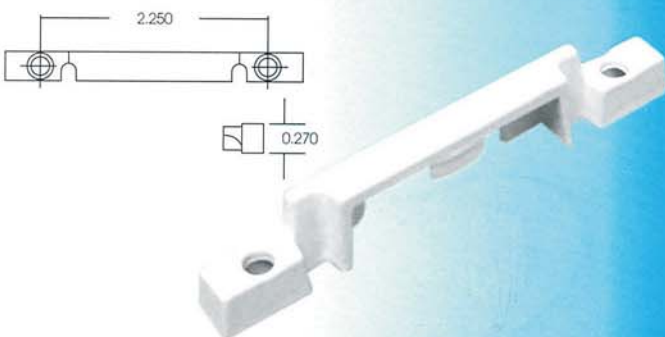
**#8290** Face Mounted



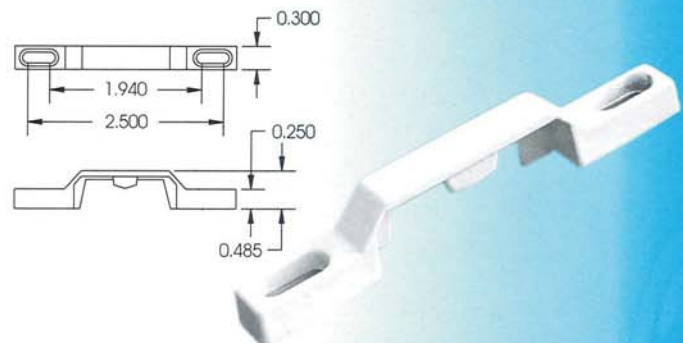
**#8421** Face Mounted



**#8380** #6 Screws, Open Back



**#8422** #6 Screws, Open Back





**#8500** #6 Screws, Closed Back

**#8561** #6 Screws, Open Back

**#8503** #6 Screws, Open Back

**#8562** #6 Screws, Open Back

**#8504** #6 Screws, Open Back, Notched Narrow Base

**#9310** Closed Back (Matches 9205 Locks)

**#8521** #6 Screws, Face Mounted (Matches 3500 Series Locks)

**#9380** Recessed Keeper

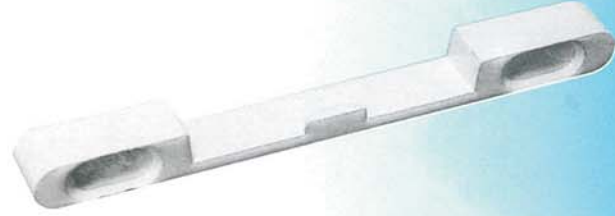
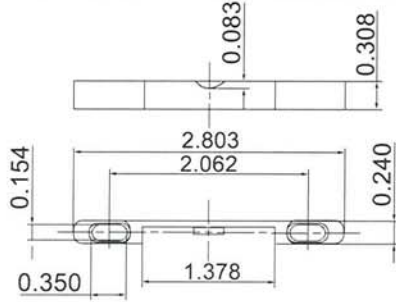
**#8524** Face Mounted

**#9381** #6 Screws, Closed Back (Matches 9210/20 Locks)



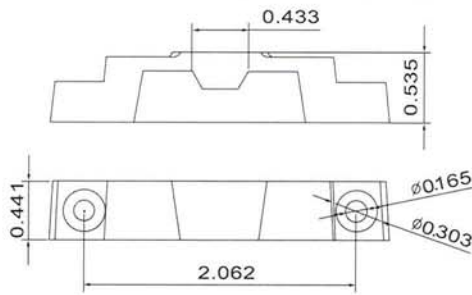


**8183** (TO MATCH 3161 LOCK)

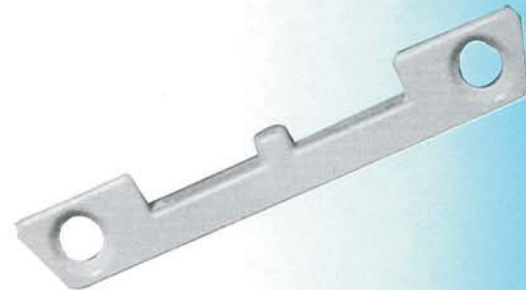
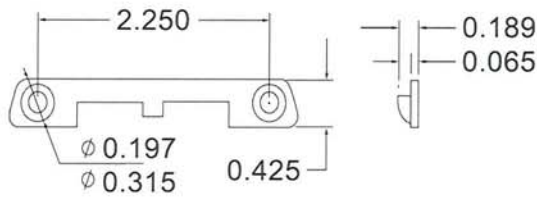


**SECTION B5**

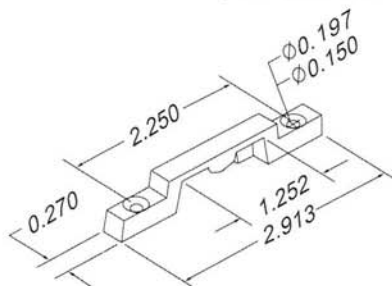
**8201** (TO MATCH 3212 LOCK)



**8262** (TO MATCH 3161 LOCK)

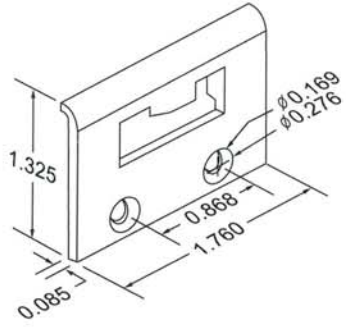


**8291** (TO MATCH 3286 LOCK)



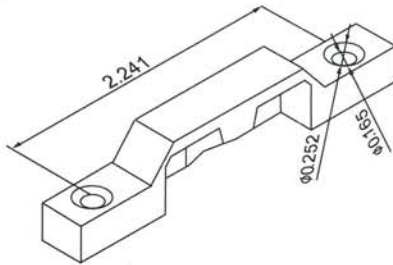


8292

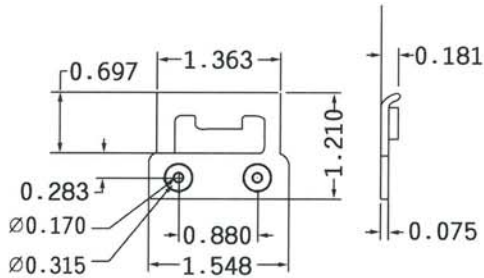


SECTION B6

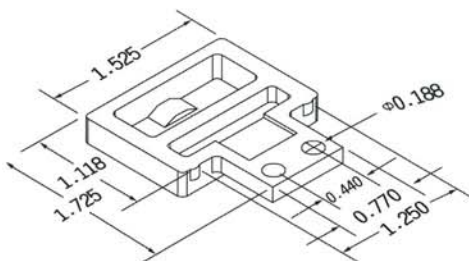
8423



8522 (TO MATCH 3513 LOCK)

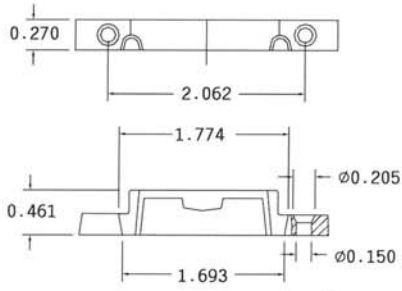


8526 (TO MATCH 3214 LOCK)



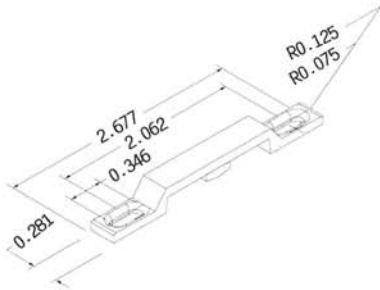


**8563** (TO MATCH 3222S LOCK)

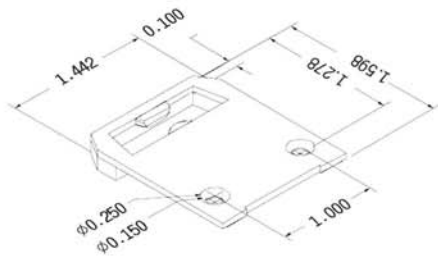


**SECTION B7**

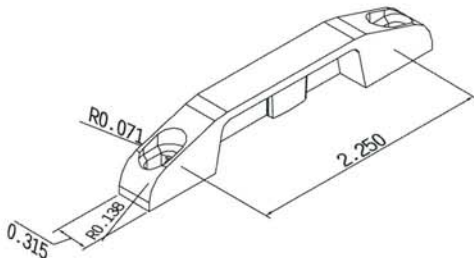
**9311** (TO MATCH 9710 LOCK)



**9312** (TO MATCH 9710 LOCK)

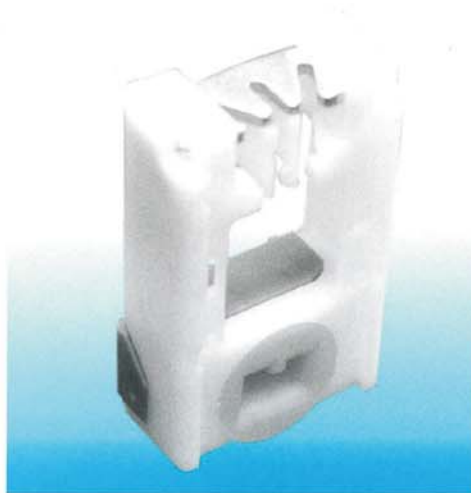


**9382** (TO MATCH 9280 LOCK)





**#2911**

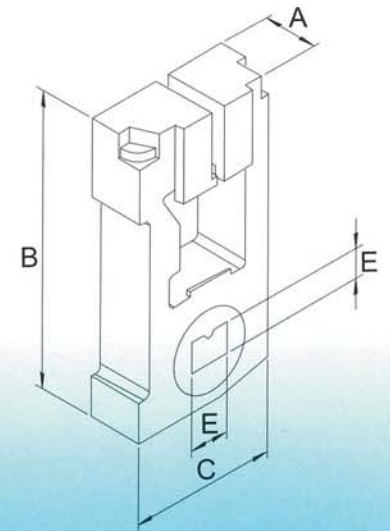
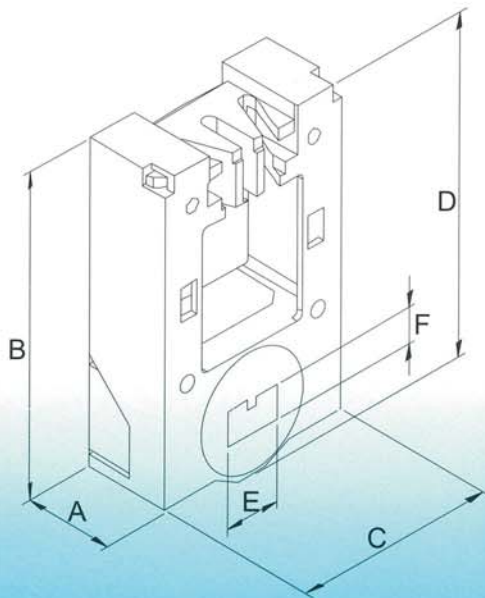


**#2921**



**#2970**

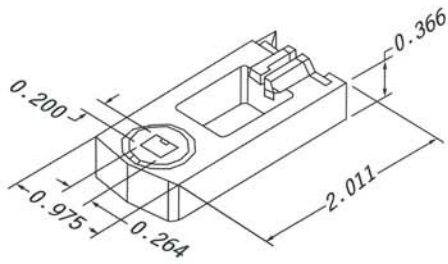
**SECTION C1**



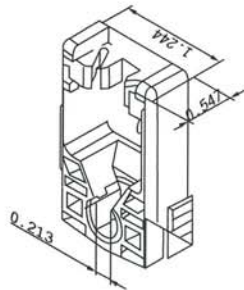
Name	Item No.	Dimensions					
		A	B	C	D	E	F
5/8" Balance Shoe	2911	0.531"	2.028"	1.24"	2.102"	0.315"	0.200"
5/8" Balance Shoe	2921	0.598"	2.028"	1.24"	2.102"	0.315"	0.200"
5/8" Balance Shoe (2921 w/H Spacers)	2921H		2.028"	1.24"	2.102"	0.315"	0.200"
5/8" Balance Shoe	2931	0.551"	2.028"	1.24"	2.102"	0.315"	0.200"
3/8" Balance Shoe	2970	0.354"	1.89"	0.957"		0.256"	0.205"



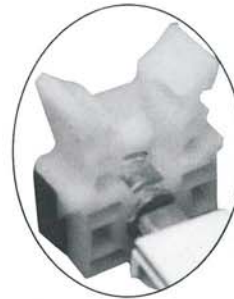
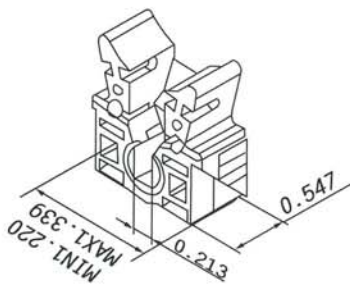
## 2971



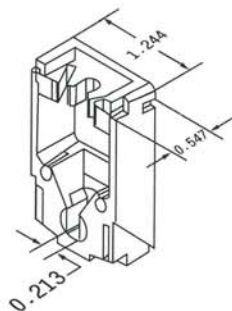
## 2986 (PATENT PENDING)



## 2987 (PATENT PENDING)

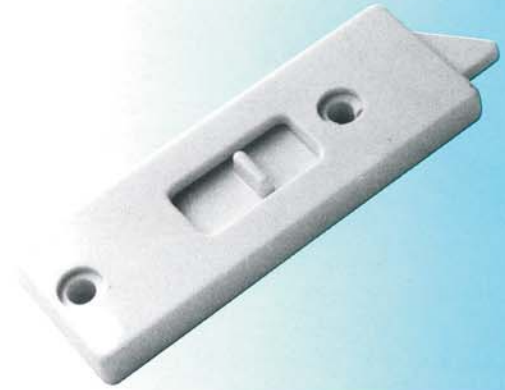
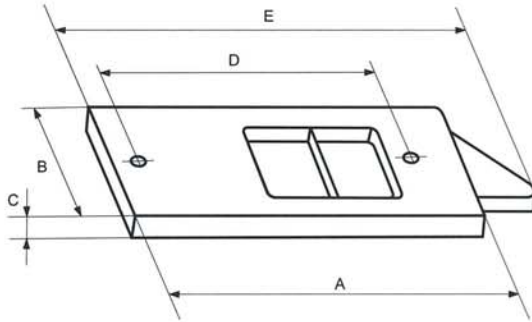


## 2988 (PATENT PENDING)

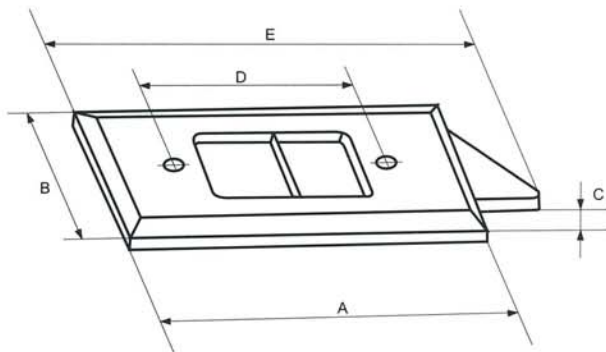




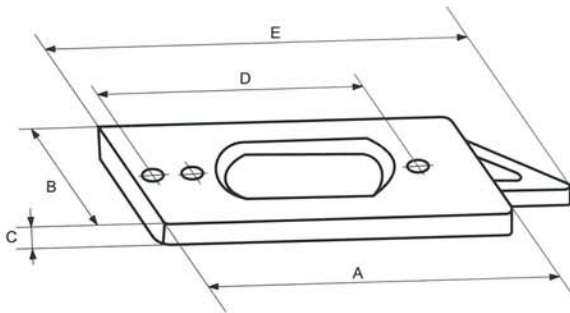
**#2800**



**#2801**



**#2802 Tilt Latch w/ Lock Buttons**



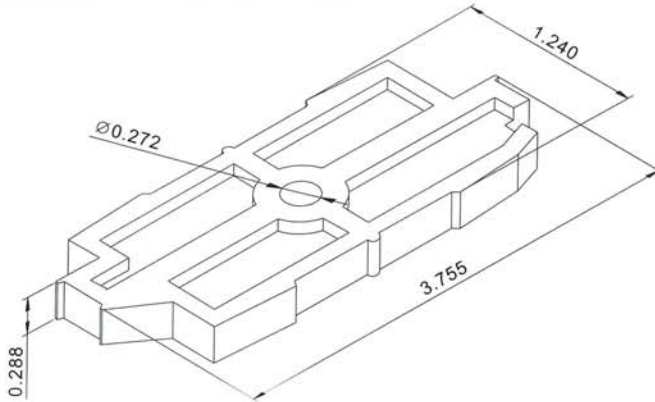
**#2804 Small Tilt Latch**



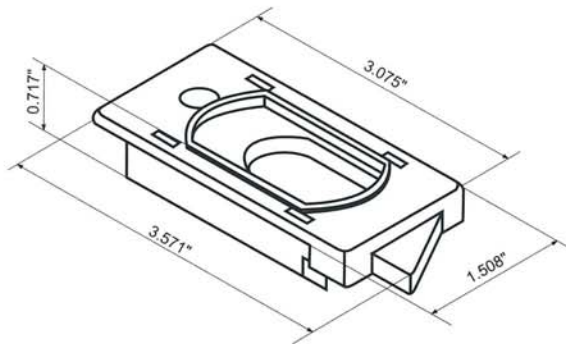
Name	Item No.	Dimensions				
		A	B	C	D	E
Surface-Mounted Tilt Latches ( Assembled )	2800	3.465"	1.221"	0.327"	2.33"	3.862"
	2801	3.212"	1.333"	0.315"	2.063"	3.661"
	2802	3.453"	1.264"	0.327"	2.313"	3.853"
	2804	3.000"	1.030"	0.316"	2.010"	3.350"

SECTION D1

**#2814 TILT LATCH PIECE**

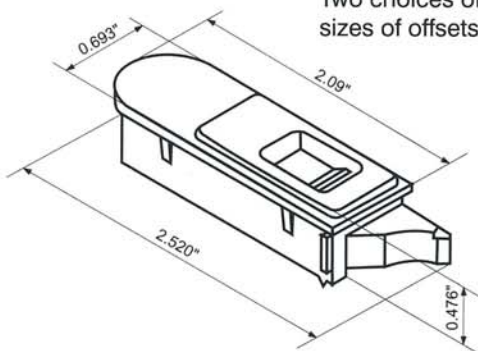


**#2830 Integral Tilt Latch for Aluminum Windows**

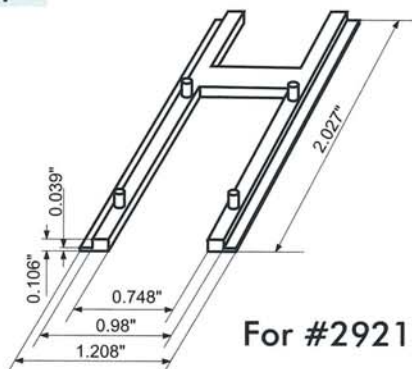


**#2850 ( Patent Pending )**

Two choices of buttons for top or bottom sash, different sizes of offsets and side wall setbacks.



**H Spacer**



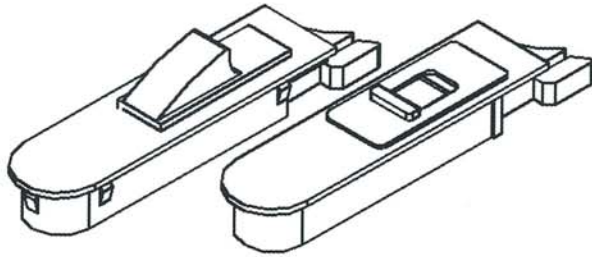
For #2921 Balance Shoes



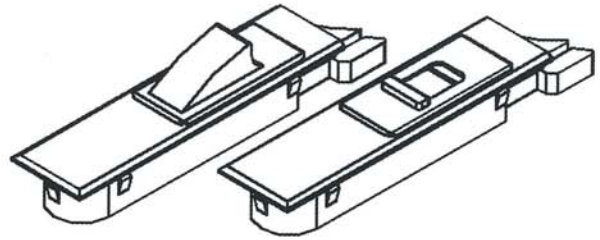
SECTION D2

**Patented Recessed Tilt Latches  
Ordering Instruction**

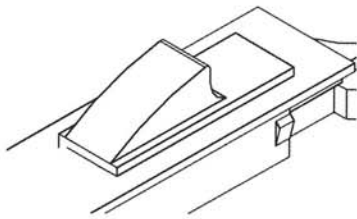
**Step 1. Housings**  
#2860 Series



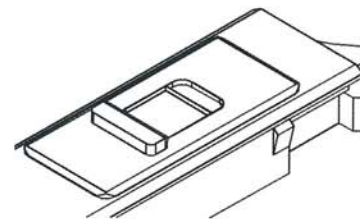
#2870 Series



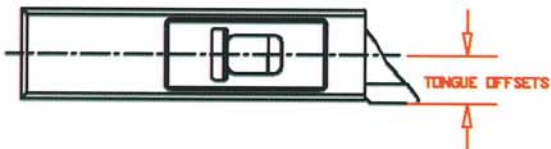
**Step 2. Buttons**  
R (Raised)



F (Flat)

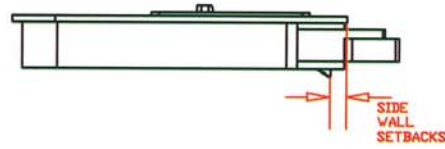


**Step 3. Tongue Offsets**



A	B	C	D
0.250"	0.285"	0.315"	0.375"

**Step 4. Side Wall Setbacks**



1	2	3	4
0.075"	0.092"	0.195"	0.275"

**Step 5. Colors**

BW(Blue white), EW(Euro-White), BG(Beige), BN(Brown), DB(Dark Brown)

**Ordering Example**

2860RD2BW-L means

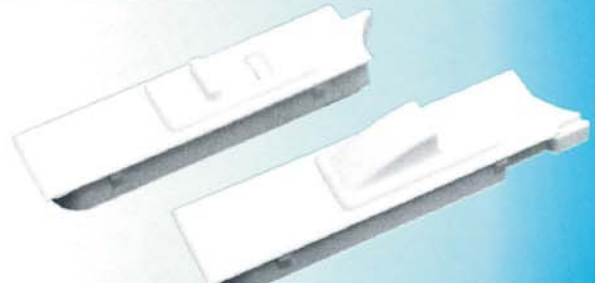
1.Housing	2.Button	3.Nose Offset	4.Side Wall Setback	5.Color
2860	R	D	2	BW

Round Ended Housing-Raised Button-0.375 Tongue Offset-0.092 Side Wall Setback-Blue White-LH

**#2860F & #2860R**



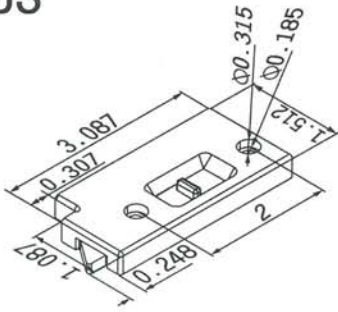
**#2870F & 2870R**



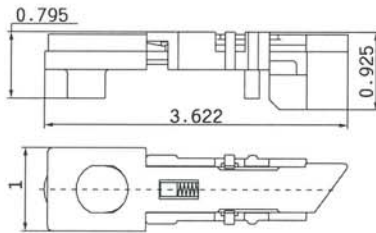
**SECTION D3**



**2805US**

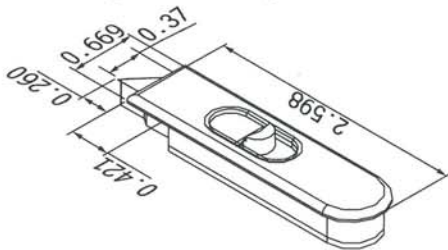


**2820**



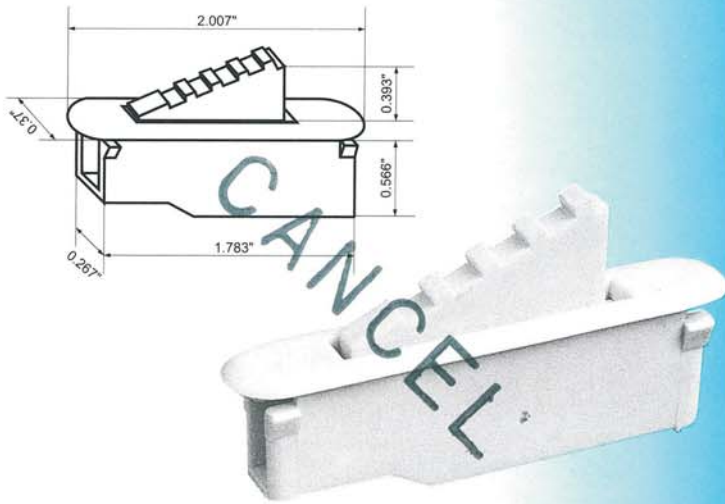
**2869**

Zinc Die-Cast Housing  
Nylon Tongue Tilt Latch

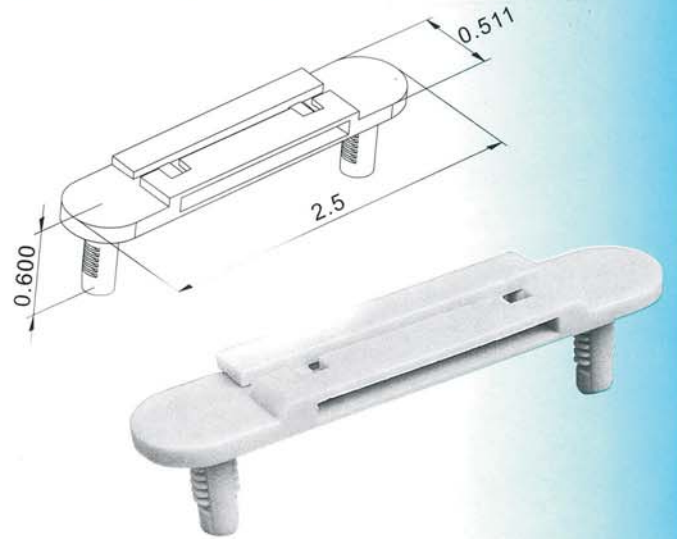




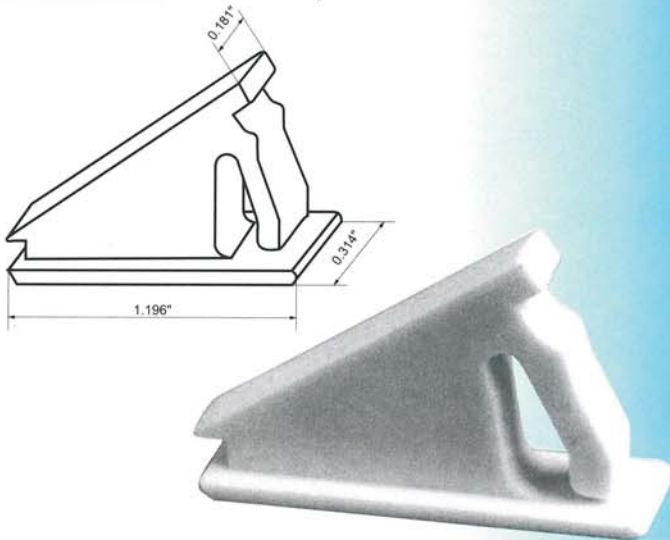
**#1710 Premium Limit Stops**



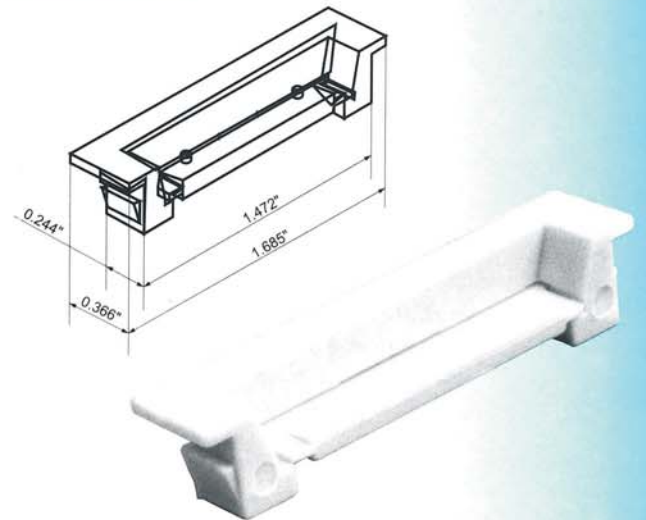
**#1210 Large Weep Hole Covers & Flaps**



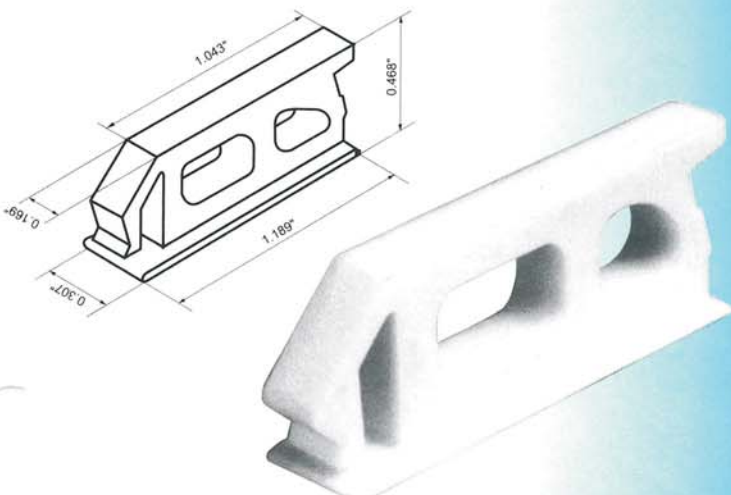
**#1720 Limit Stops**



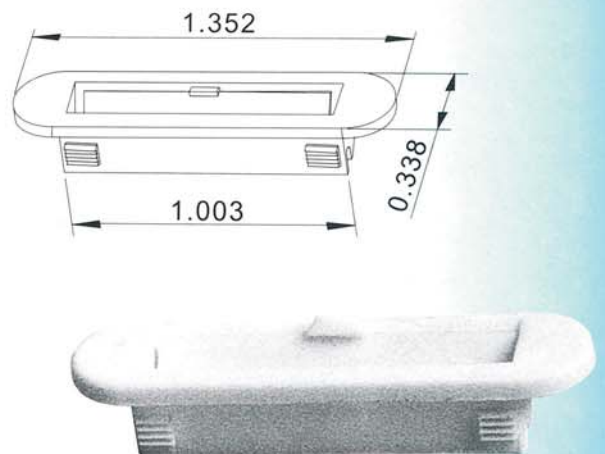
**#1220 Weep Hole Covers & Flaps**



**#1730 Limit Stops**

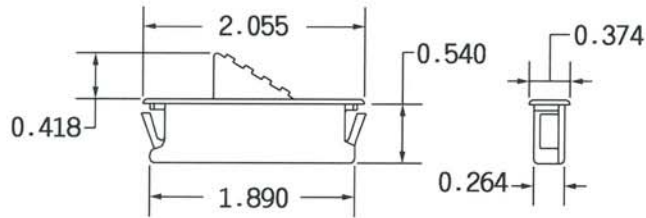


**#1230 Weep Hole Covers & Flaps**

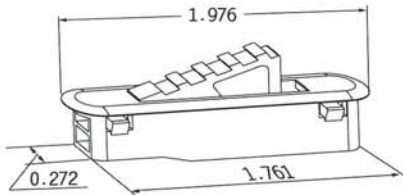


SECTION E1

**1712 PREMIUM LIMIT STOP**

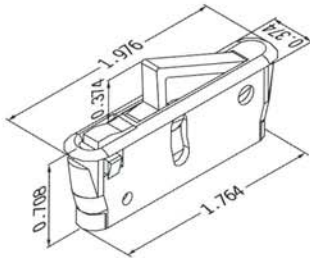


**1716 PREMIUM LIMIT STOP  
(PATENT PENDING)**

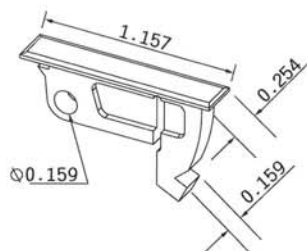


SECTION E2

**1718 PREMIUM LIMIT STOP  
(PATENT PENDING)**

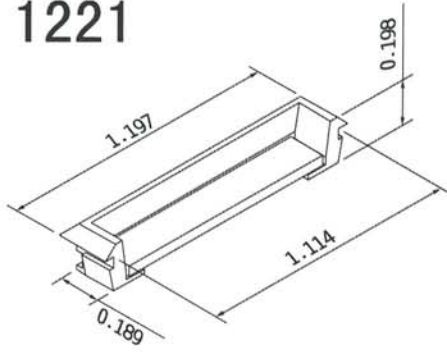


**1721 LIMIT STOP**



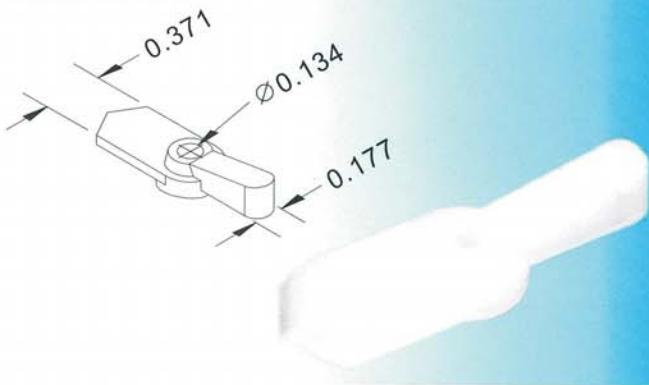


1221

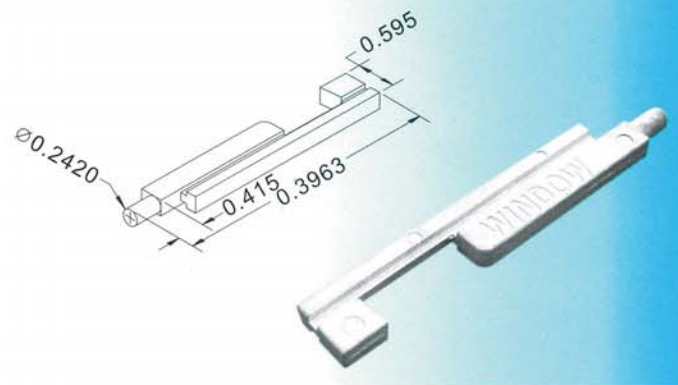


SECTION E3

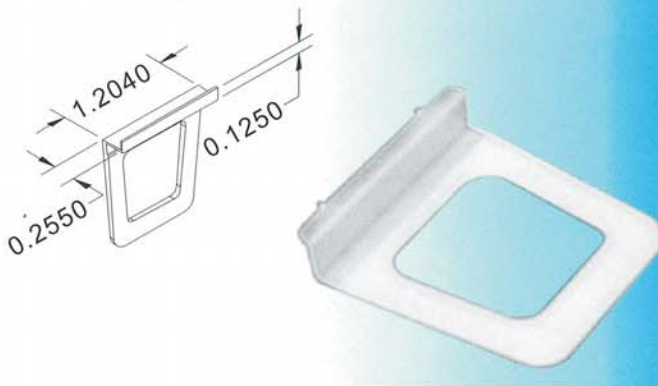
**#1010** Screen Pointer



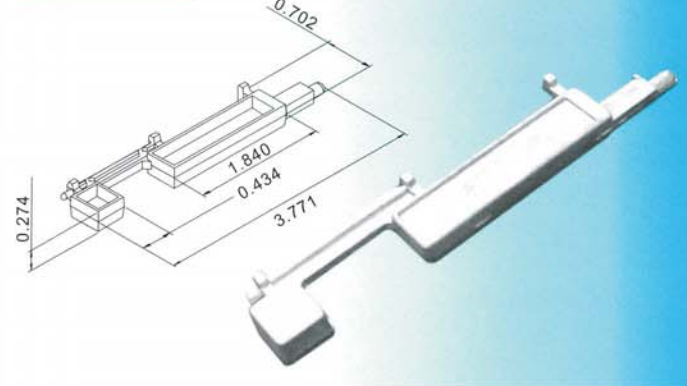
**#1051** Zinc Slide Bolt



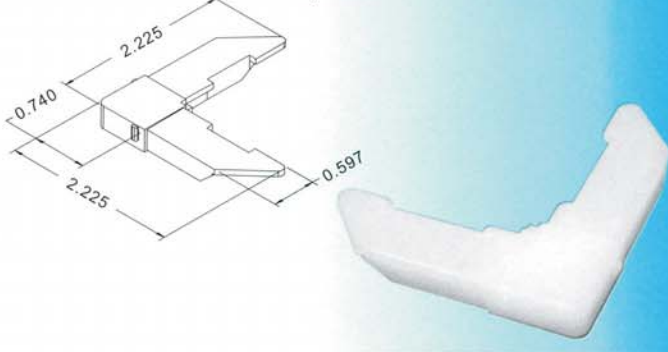
**#1020** Screen Pull



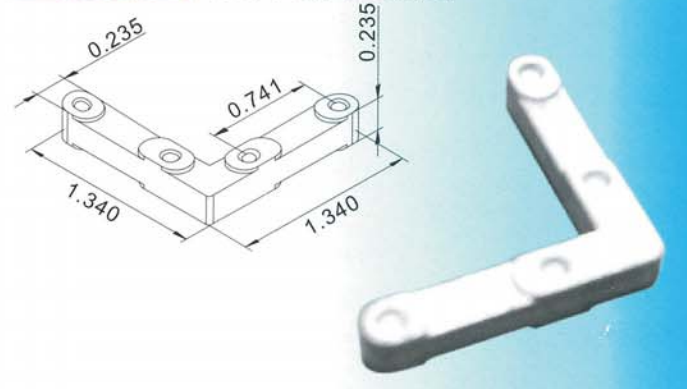
**#1053** Screen Latch



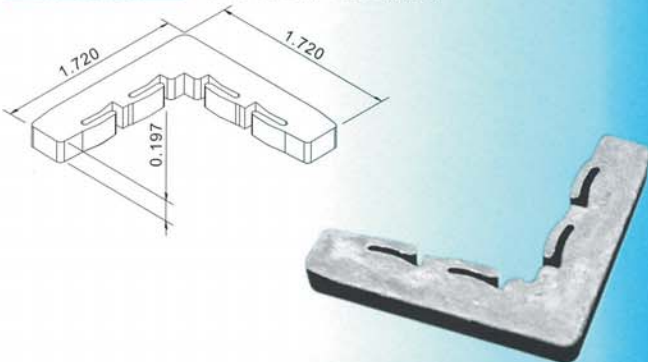
**#1031** 5/16" Screen Corner w/Dimples



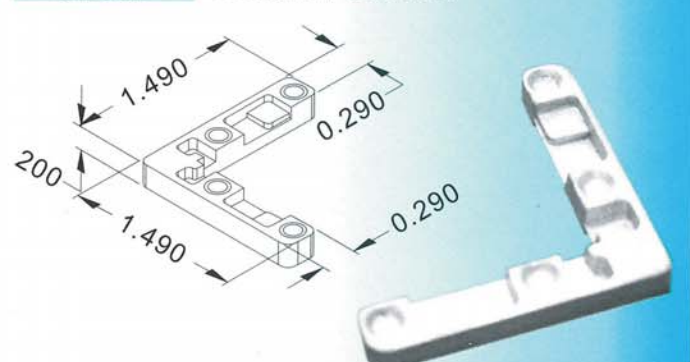
**#1054** Screen Corner



**#1036** Screen Corner

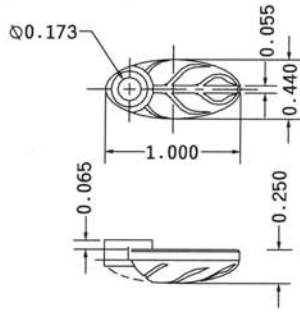


**#1056** Screen Corner

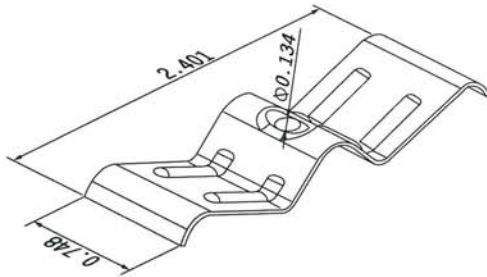




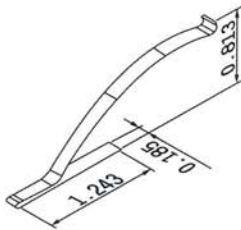
## 1011 SCREEN CLIP



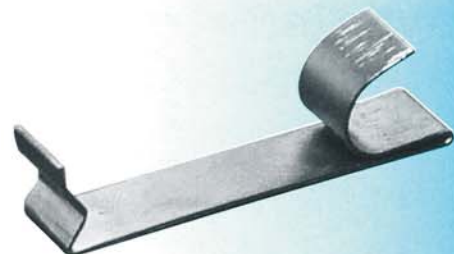
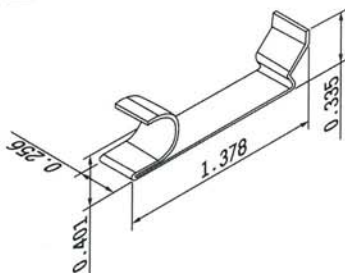
## 1070 EXPEND-A-SPRING



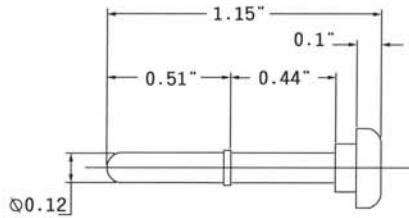
## 1071 TENSION SPRING



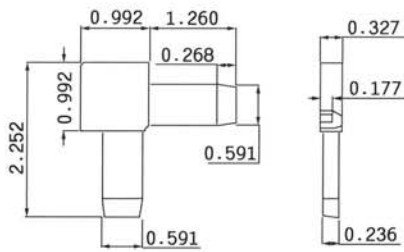
## 1072 SPRING



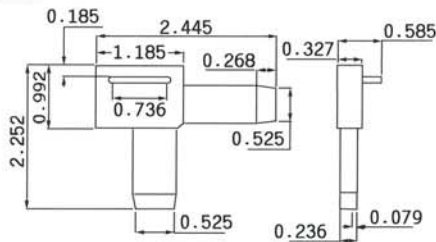
## 1012 MARK "X" PINS



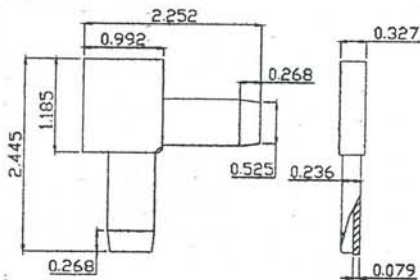
## 1034R SCREEN CORNER



## 1035L SCREEN CORNER

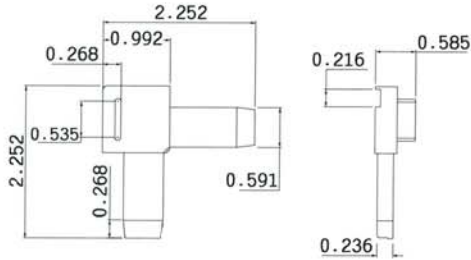


## 1035R SCREEN CORNER





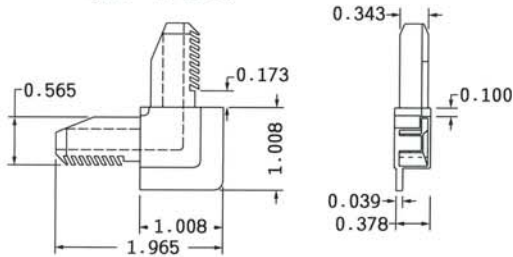
## 1034L SCREEN CORNER



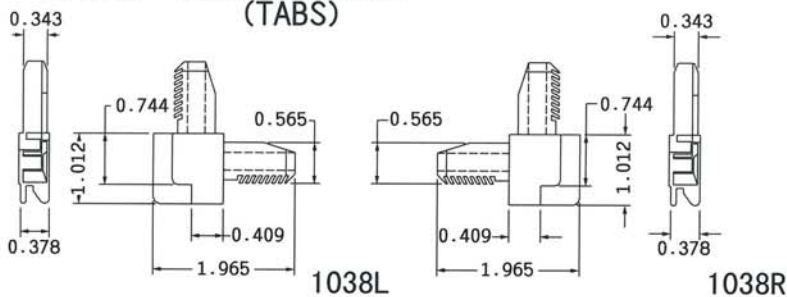
## 1035L-2 SCREEN CORNER



## 1037 SCREEN CORNER (NO TABS)



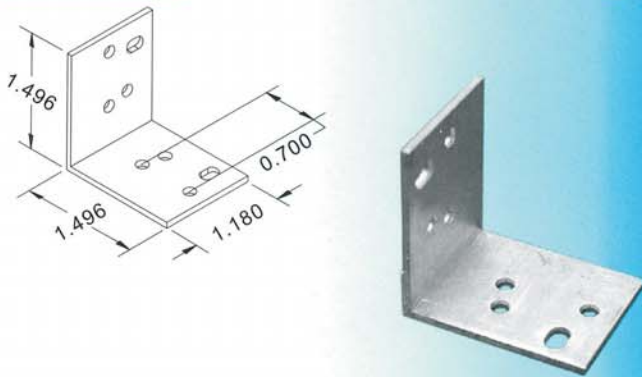
## 1038 SCREEN CORNER (TABS)



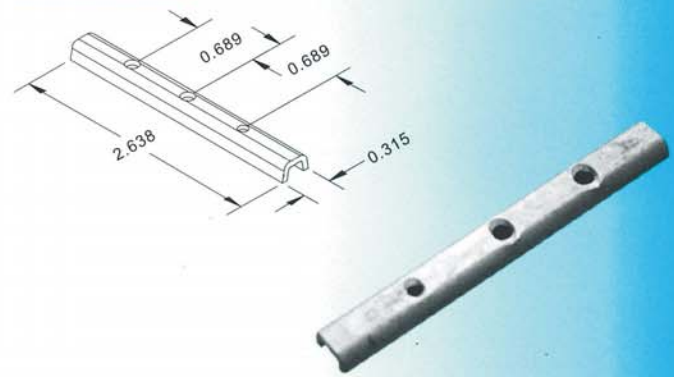
SECTION F4



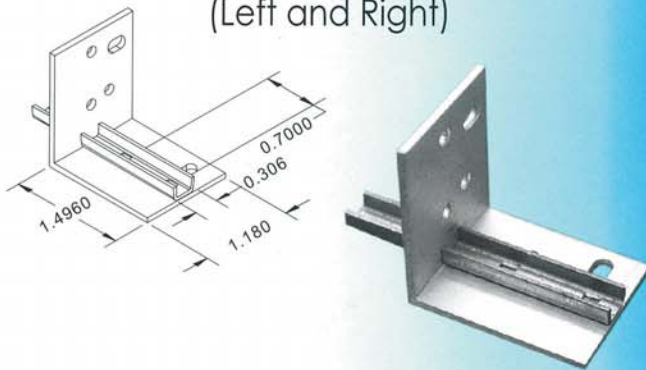
**#6920** Plain Aluminum Sash Angle



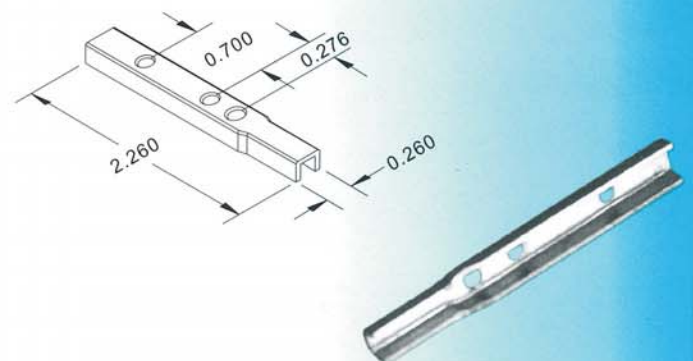
**#6924** Zinc-Plated Pivot Bar



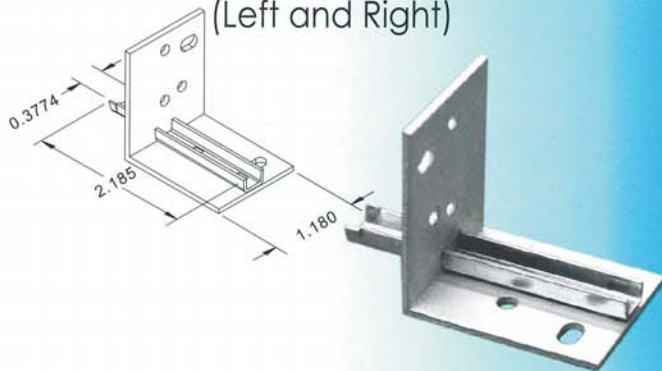
**#6921** Sash Pivot Assembly (Left and Right)



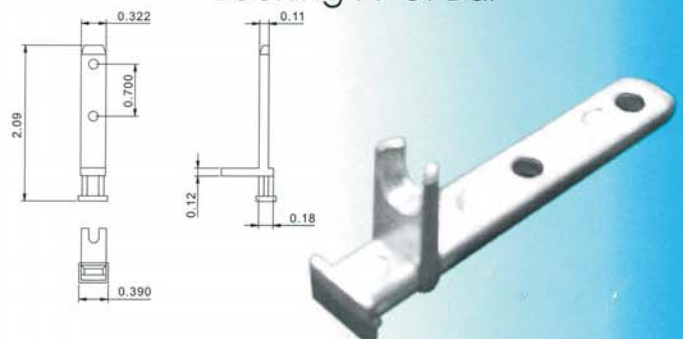
**#6925** Zinc-Plated Pivot Bar



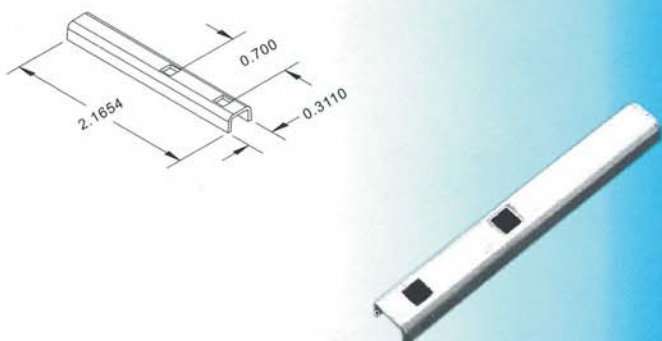
**#6922** Locking Sash Pivot Assembly (Left and Right)



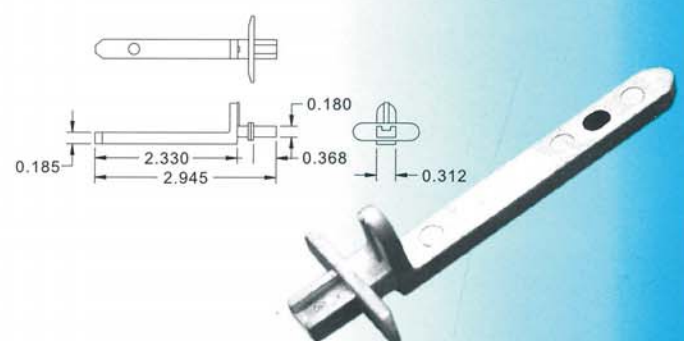
**#6995** Zinc Die-Cast Locking Pivot Bar



**#6923** Zinc-Plated Pivot Bar



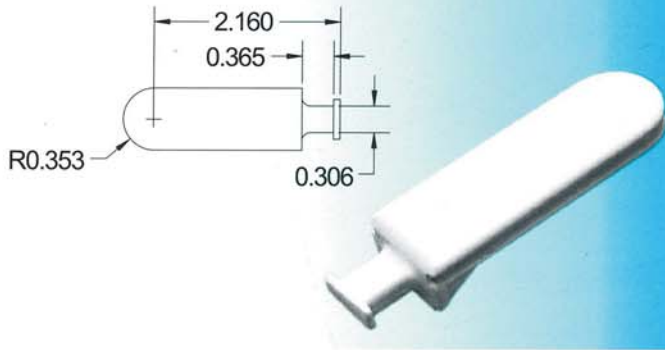
**#6996** Zinc Die-Cast Pivot Bar



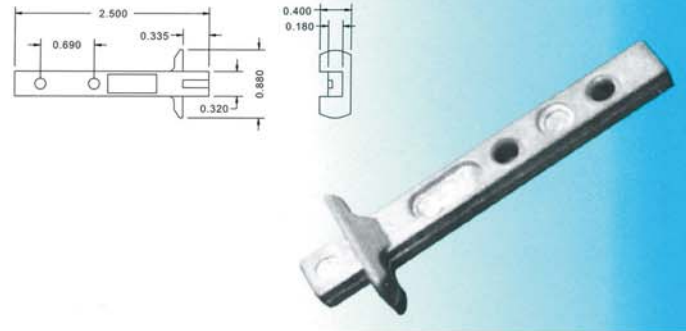
SECTION G1



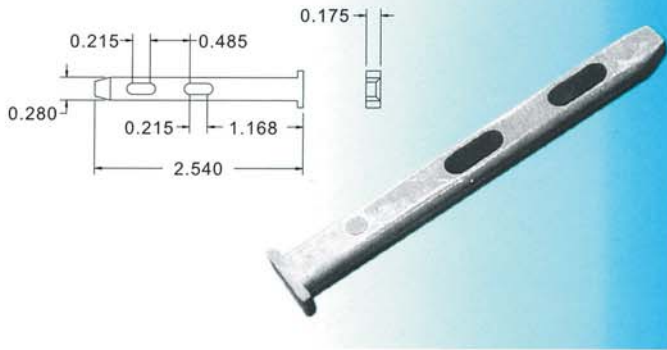
**#6980** Zinc Die-Cast Slide-In Pivot Bar



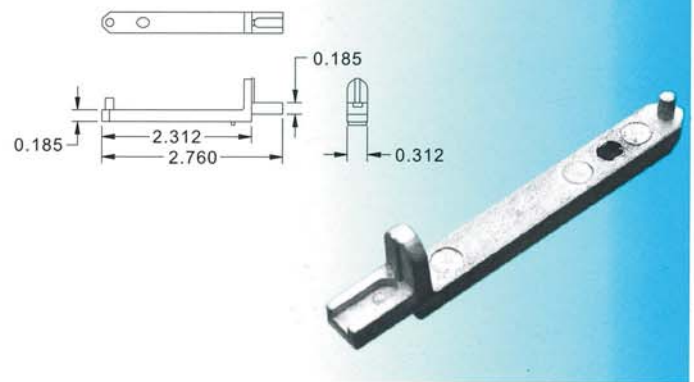
**#6985** Zinc Die-Cast Slide In Pivot Bar



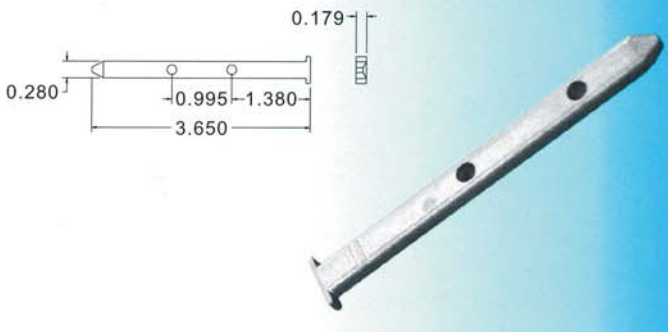
**#6981** Zinc Die-Cast Locking Pivot Bar



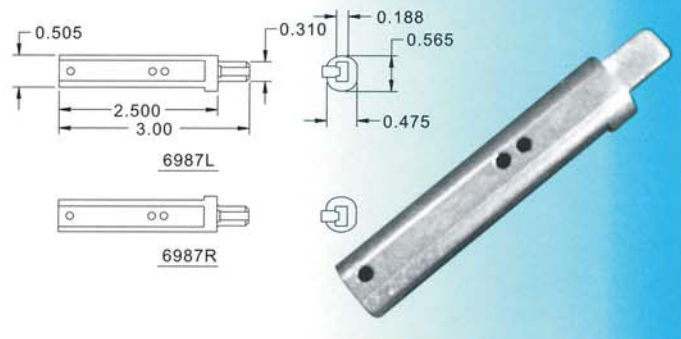
**#6986** Zinc Die-Cast Pivot Bar



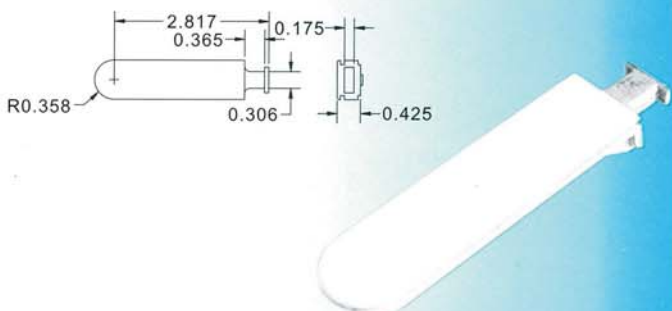
**#6982** Zinc Die-Cast Locking Pivot Bar



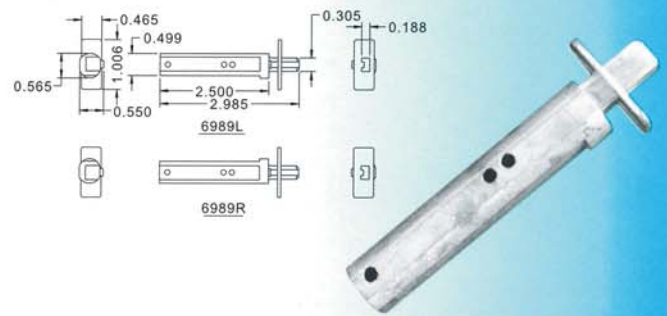
**#6987** Zinc Die-Cast Pivot Bar (Left or Right)



**#6983** Slide-In Zinc Die-Cast Pivot Bar

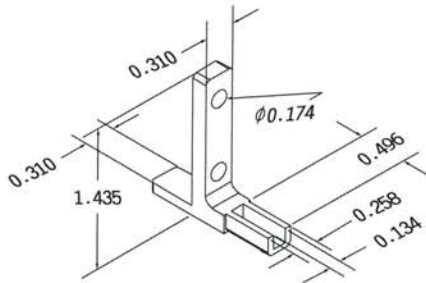


**#6989** Zinc Die-Cast Pivot Bar (Left or Right)

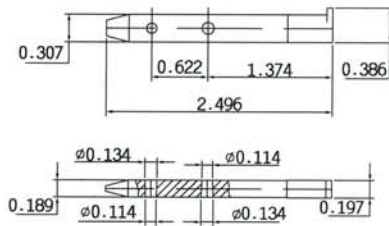




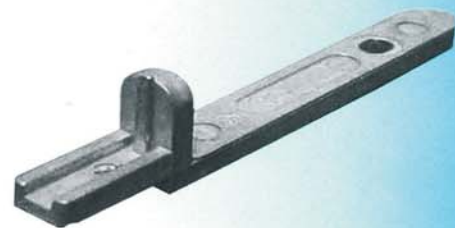
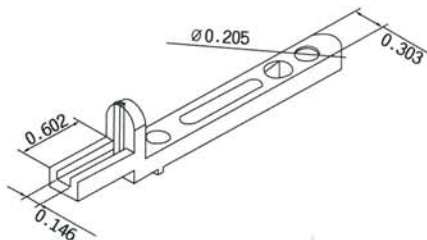
## 6972 ZINC DIE-CAST PIVOT BAR



## 6984 ZINC DIE-CAST LOCKING PIVOT BAR



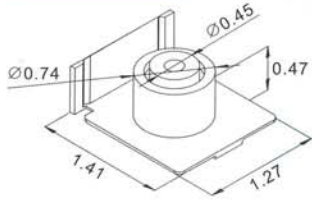
## 6997 ZINC DIE-CAST PIVOT BAR



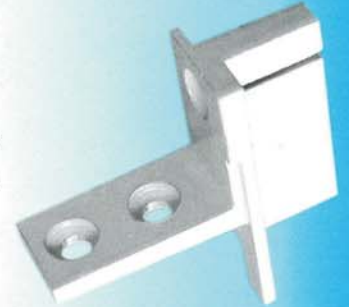
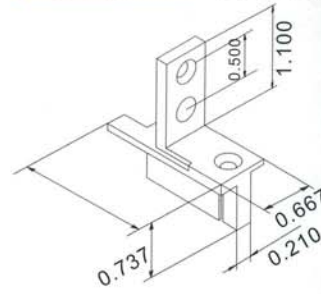
SECTION G3



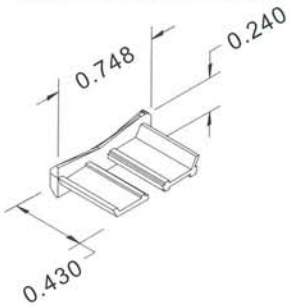
**#2995** Nylon Spring Holder



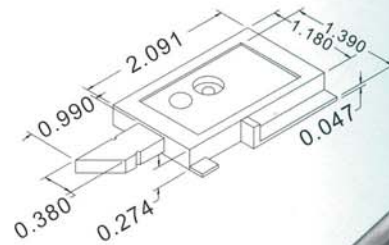
**#1953** Zinc Meeting Rail Clip



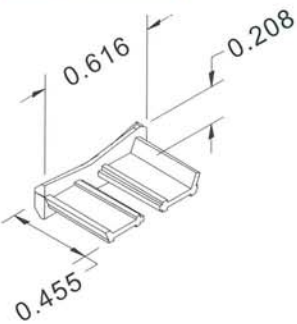
**#C2200** Sash Lift End Cap



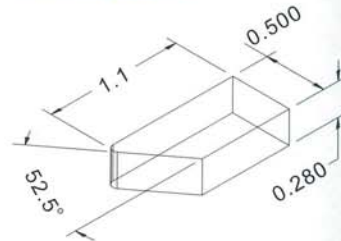
**#2865** Zinc Tilt Latch Assembly



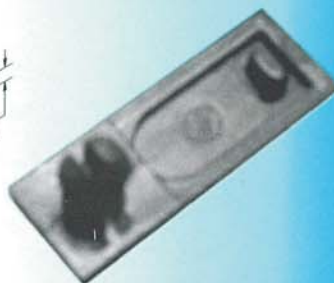
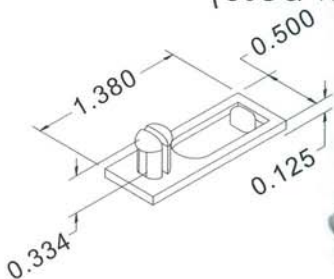
**#C2300** Sash Lift End Cap



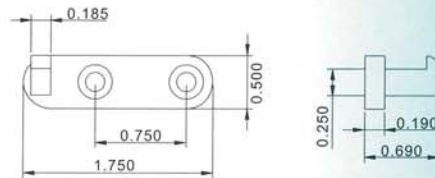
**#2866** Zinc Tilt Latch Assembly



**#2867** Tilt Latch Cover  
(Used with #2865/#2866)

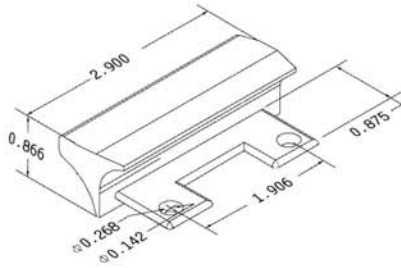


**#6971** Custom Pivot Bar

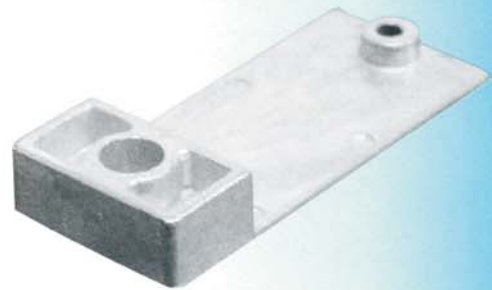
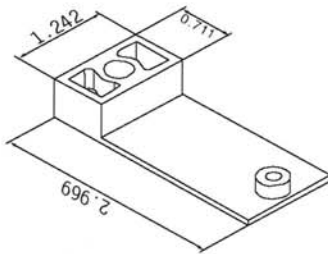




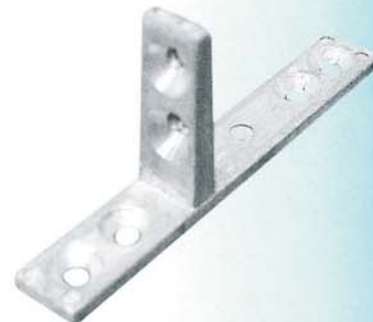
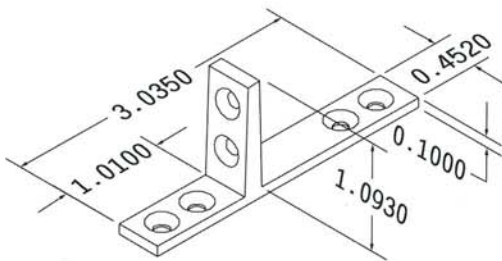
**1411 SASH LIFT HANDLE**



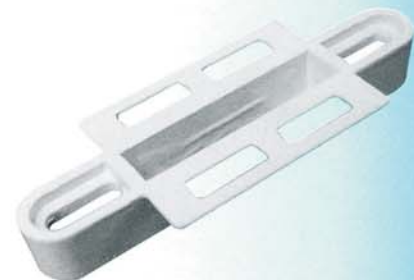
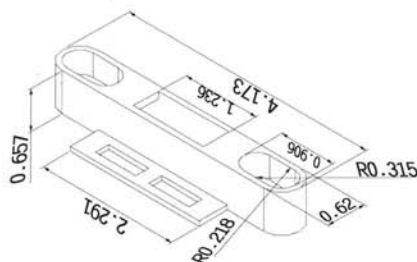
**1412 HOPPER SHOE**



**1413 PASS THROUGH CLIP**

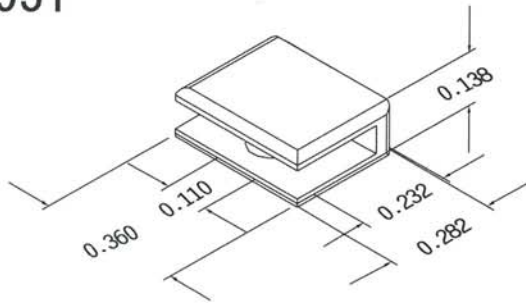


**PD1005 PATIO DOOR HANDLE KEEPER**

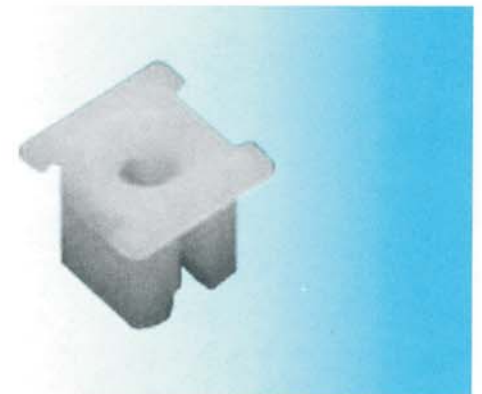
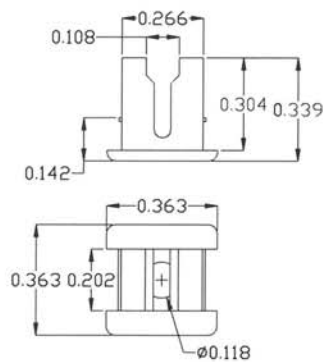


SECTION H4

1951

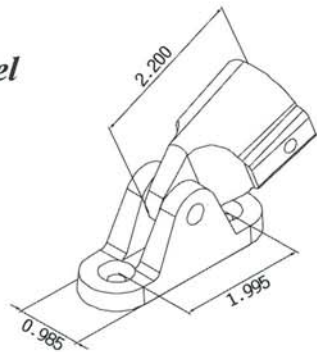


2997



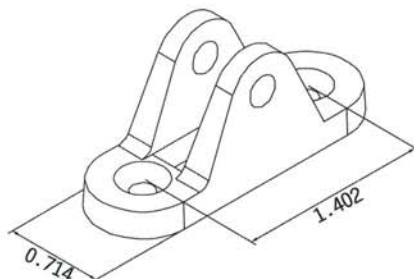
7700

*Large Swivel*

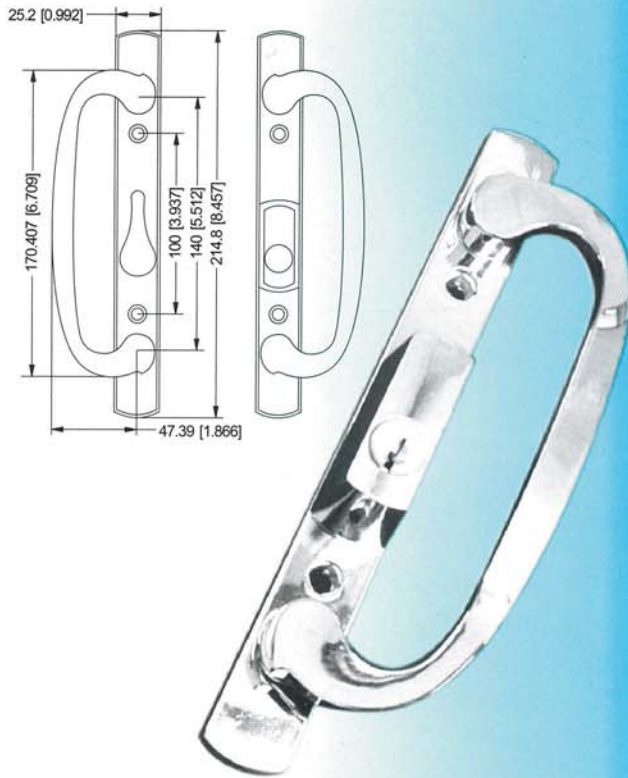


7701

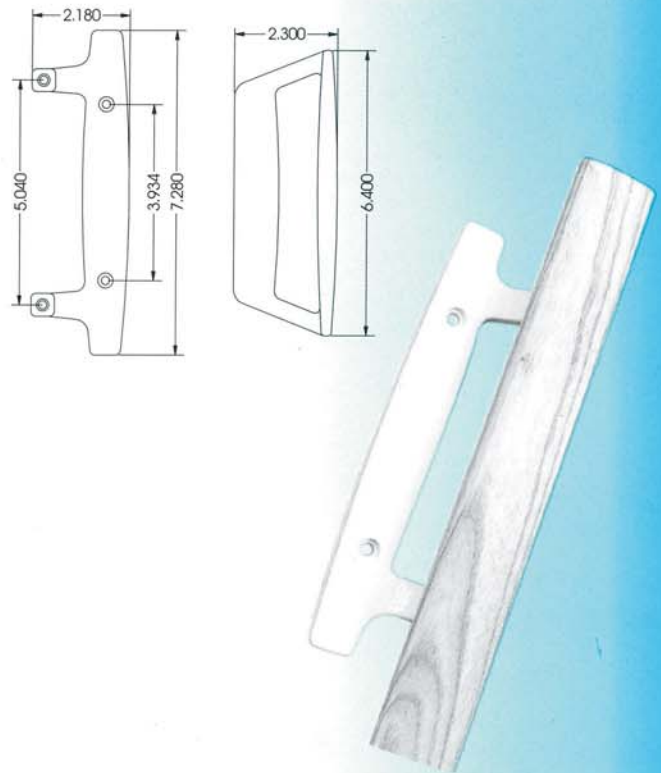
*Small Camel Back W/Screw*



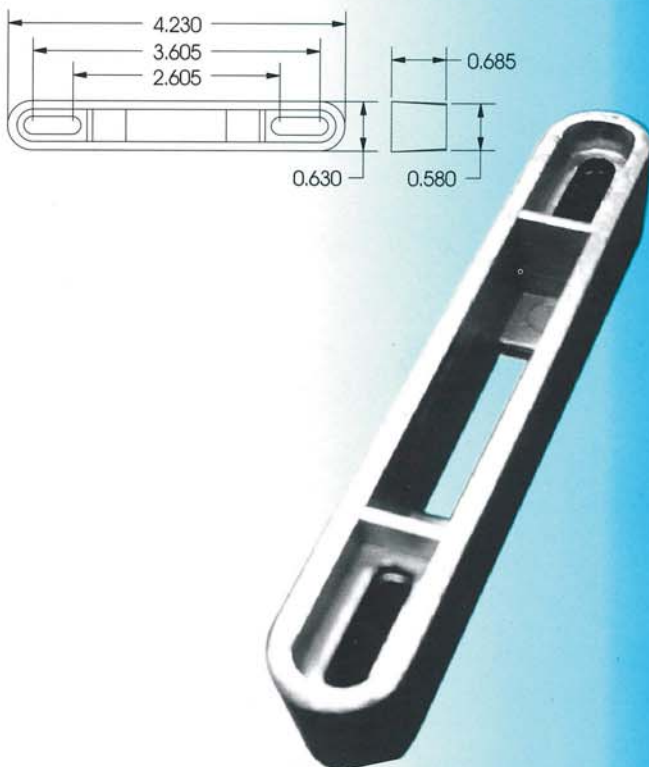
**PD2000** Patio Door Handle Sets



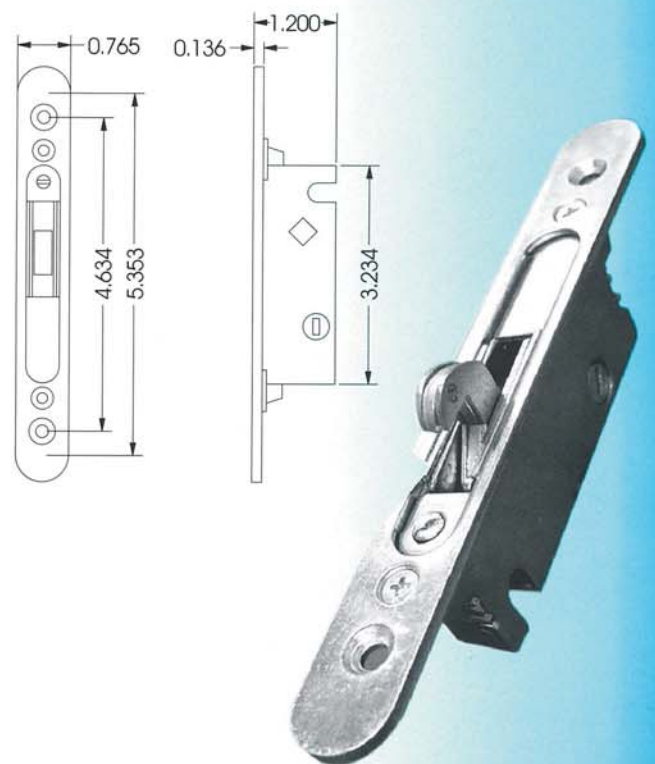
**PD1000** Patio Door Handle Sets



**PM400** Keepers



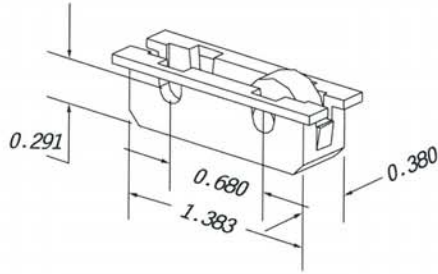
**PM500** Single Point Mortise



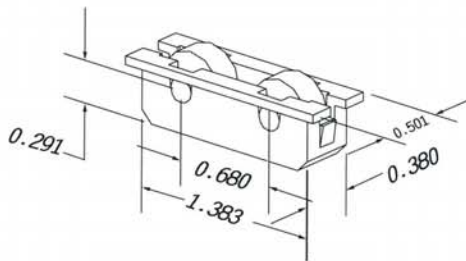




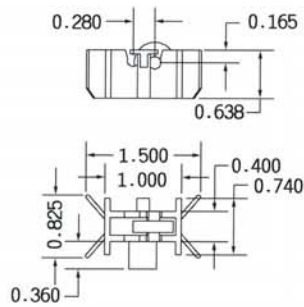
1131



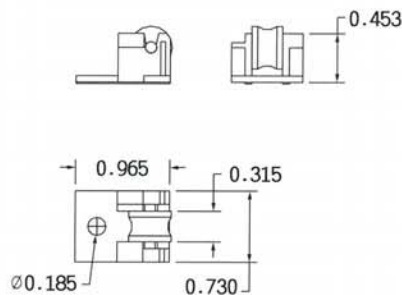
1132



1160

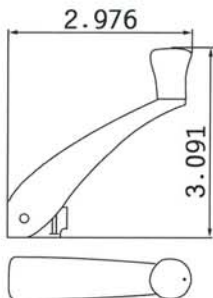


1170



SECTION J2

## 1670 FOLDING HANDLE (PATENT PENDING)



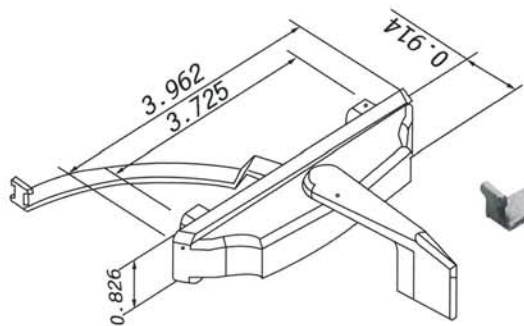
*Folded Storage Position*



*Operative Position*

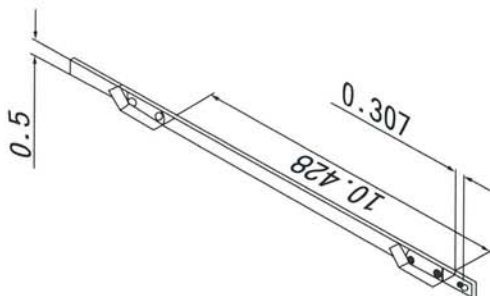


## 1680 LOCKING HANDLE



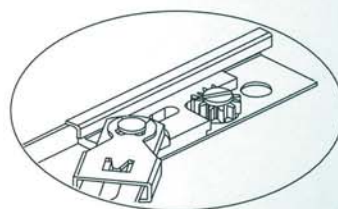
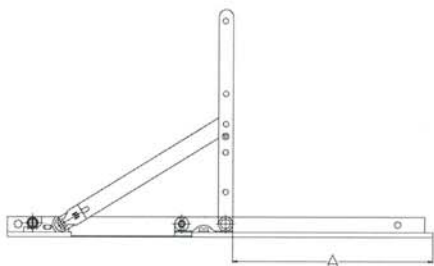
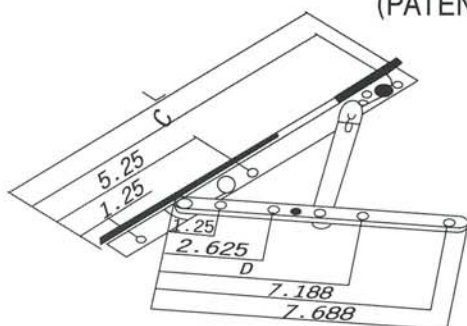
SECTION L1

## 1681 LOCKING BAR (PATENT PENDING)



## 1690 HINGE

(PATENT PENDING)



1. Provide sash drag adjustment block
2. Detachable support arm allow quickly installation of the sash into the frame

PART NO.	L	A	C	D
1690-1	10.75	4.906	10.375	4.938
1690-2	14.75	6.938	14.375	4.790
1690-3	10.75	2.281	10.375	4.938