

ARE YOU COVERED?

*COVERAGE AS EASY AS 1-2-3.

FIT.

SECURE.

COVERED.



IT'S NOT JUST ANOTHER SILL PAN.
IT'S A REPUTATION-SAVING, INFILTRATION SOLUTION.

When your reputation is on the line with every build, you need coverage from the bottom up. Protect your homes and your name from infiltration damage with the VersaPan® Sloped Sill Pan from Endura Products.



VERSAPAN® SLOPED SILL PAN



HOW MUCH IS YOUR REPUTATION WORTH TO YOU?

When your name is on the line with every build, this kind of damage costs more than just a service call to repair it. Cover your assets and protect your entryways from water infiltration damage with the adaptable and easy-to-install VersaPan® Sloped Sill Pan solution from Endura Products.



MEET VERSAPAN: YOUR ASSET-COVERING SOLUTION

The Endura VersaPan Sloped Sill Pan creates a robust barrier against water infiltration and resulting damage. Installed in the rough opening, the sill pan drains water down and away from the door unit, protecting against water intrusion and associated rot and mold, saving you time and money from costly repairs down the line.

VERSAPAN: YOUR C.Y.A. IN 3 EASY STEPS



1. FIT
Cut and mold VersaPan using the built-in measurement markers to properly fit within rough opening.



2. SECURE
Place the sill pan in the rough opening and secure it into place utilizing screws or staples.



3. COVERED
Fully seal corners with provided flashing tape and rest assured – you're covered.

VERSAPAN END CAPS (OPTIONAL)



Installed

Available for 4-9/16" and 6-9/16", these preformed and presized end caps make field assembly even simpler. Please refer to our VersaPan End Cap Instructions for more information.



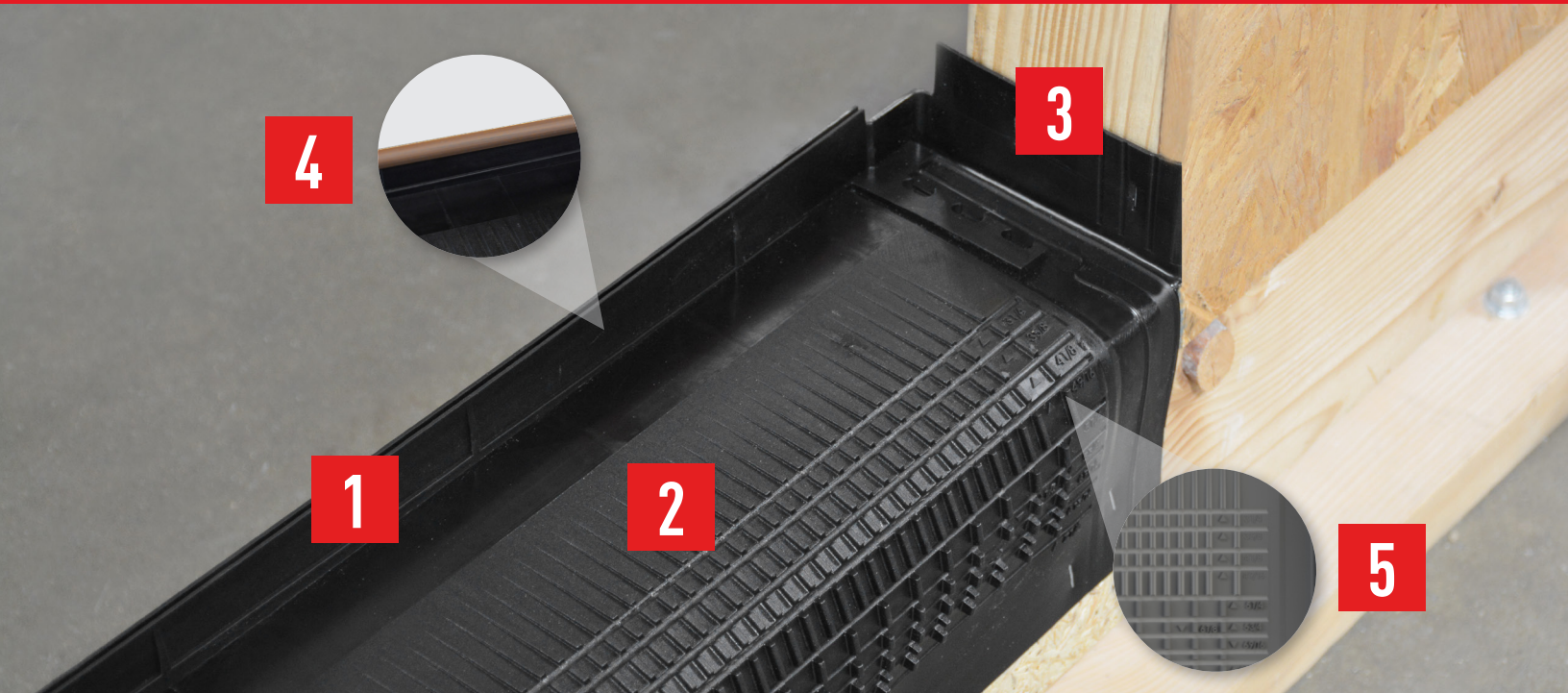
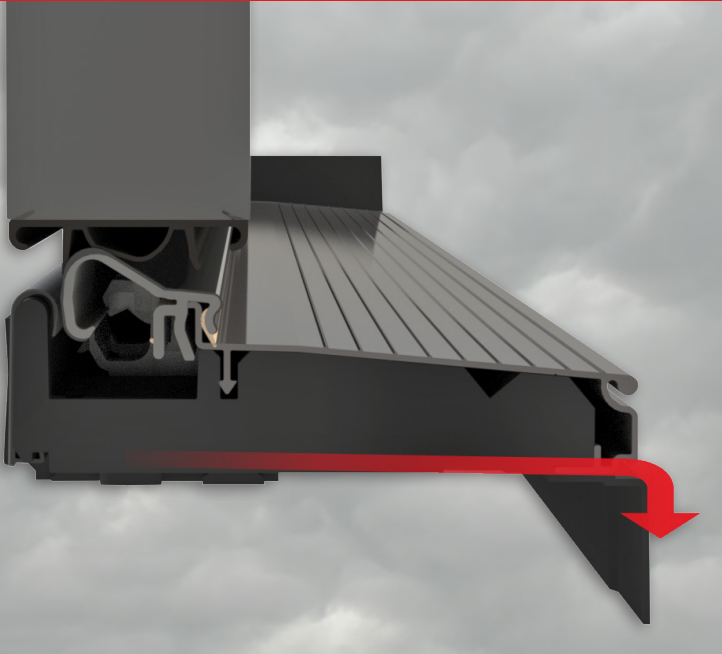
ONE SOLUTION: INFINITE FLEXIBILITY:

Gain infinite length adjustability and on-the-spot flexibility with the universal design. Easily combine, size and install the sill pan and fight water infiltration for any desired rough opening.

THE VERSAPAN® ADVANTAGE

SLOPED DESIGN: LASTING PROTECTION

VersaPan's Sloped Design and built-in ridges channel water down, out and away from the opening, delivering lasting draining power and protection against costly damage to your wallet and reputation



VERSAPAN SLOPED SILL PAN: HOW IT WORKS

- FIGHTS INFILTRATION:** VersaPan's *Back Wall (1)* deflects wind-blown water while the unique *Sloped Design (2)* drains water down and away from the opening. VersaPan also features *Side Walls (3)* which fit securely against the edges of the opening, sealing out water penetration.
- IMPROVE AESTHETICS:** While most sill pans do not support decorative nosing, VersaPan accepts the *Z-Series Nosing (4)* for a cohesive, polished appearance for your door system.
- BUILT-IN MEASUREMENT AIDS:** With *Built-in Measurement Markers (5)*, easily install VersaPan based on the length and width of each unique opening.

VERSAPAN® SLOPED SILL PAN PRODUCT OFFERING

"ONE-SIZE-FITS-ALL" UNIVERSAL DESIGN	TWO PREDETERMINED STANDARD PANS FOR 4-9/16" AND 6-9/16" JAMB WIDTHS

*Universal design or predetermined standard pans can be sized to fit any opening.

ALSO AVAILABLE IN PREPACKAGED RETAIL KITS!



The VersaPan® Sloped Sill Pan is also available in retail packs for: 4-9/16", 6-9/16" and Universal options.

4-9/16" VersaPan Retail Pack: Includes (1) 4-9/16" VersaPan, (3) Corner Seals, (1) Piece of Flashing Tape, (1) Nosing Clip & Instructions

6-9/16" VersaPan Retail Pack: Includes (1) 6-9/16" VersaPan, (3) Corner Seals, (1) Piece of Flashing Tape, (1) Nosing Clip & Instructions

Universal VersaPan Retail Pack: Includes (1) Universal VersaPan, (3) Corner Seals, (1) Piece of Flashing Tape & Instructions

